

WAVE FORM ANALYZER
SAS-8130
Service Manual

D211-724300(I)

Electrical Parts List

CIRCUIT REFERENCE	DESCRIPTION	IWATSU PART No.	CIRCUIT REFERENCE	DESCRIPTION	IWATSU PART No.
GP-IB & KEY I/O BOARD 1			1R16	Same as 1R01	
1C01	Cap., 10p. -0 ~ +150%, 25V, Elect. Tan.	DCS461301	1R17	Res., B100k, Var., 0.5W, Cermet	DRV410231
1C02	Same as 1C01		1R18	Same as 1R17	
1C03	Cap., 47p, -10 ~ +150%, 10V, Elect.	DCE112651	1R19	Res., 3.9k, $\pm 2\%$, $\frac{1}{4}W$, Metal	DRE133871
1C05	Cap., 0.01 μ , -20 ~ +80%, 50V, Cer.	DCC133571	1R20	Res., 100 $\pm 2\%$, $\frac{1}{4}W$, Metal	DRE133491
1C06	Same as 1C05		1R21	Same as 1R20	
1C07	Same as 1C01		1R22	Res., 510, $\pm 2\%$, $\frac{1}{4}W$, Metal	DRE133661
1C08	Same as 1C05		1R23	Res., 5.1k, $\pm 2\%$, $\frac{1}{4}W$, Metal	DRE133901
1C09	Same as 1C01		1R24	Res., 4.7k, $\pm 2\%$, $\frac{1}{4}W$, Metal	DRE133891
1C10	Same as 1C01		1R26	Res., 10k, $\pm 5\%$, $\frac{1}{4}W$, Carbon	DRD135071
1C11	Same as 1C05		1R27	Same as 1R26	
1C12	Same as 1C01		1R28	Res., 1k, $\pm 5\%$, $\frac{1}{4}W$, Carbon	DRD134831
1C13	Same as 1C05		1R29	Res., B1k, Var., 0.5W, Cermet	DRV410171
1C14	Same as 1C01		1RA01	Reststor array, 4.7k, $\pm 10\%$, Carbon	DFB011151
1C15	Same as 1C01		1RA02	Same as 1RA01	
1C16	Same as 1C01		1RA03	Same as 1RA01	
1C17	Same as 1C01		1RA04	Reststor array, 10k, $\pm 10\%$, Carbon	DFB011181
1C18	Same as 1C01		1RA05		
1C20	Same as 1C05		1D01	Diode, TLR102	DDD070231
1C21	Same as 1C05		1D02	Same as 1D01	
1C22	Same as 1C01		1Q01	Transistor, 2SA 1015Y	DTR116111
1R01	Res., 270, $\pm 10\%$, $\frac{1}{4}W$, Carbon	DRD134691	1Q02	Transistor, 2SC 1815GR	DTR137781
1R02	Same as 1R01		1Q03	Same as 1Q02	
1R03	Same as 1R01		1Q04	Transistor, SD 215DE	DTR295141
1R04	Same as 1R01		11C01A	IC, SN7405N	DIC110061
1R05	Same as 1R01		11C01B	IC, SN74LS 243N	DIC142131
1R06	Same as 1R01		11C01C	Same as 11C01B	
1R07	Same as 1R01		11C01D	Same as 11C01B	
1R08	Same as 1R01		11C01E	Same as 11C01B	
1R09	Same as 1R01		11C02A	Same as 11C01A	
1R10	Same as 1R01		11C02B	IC, TC5514 AP-3	DIC515621
1R11	Same as 1R01		11C02C	Same as 11C02B	
1R12	Same as 1R01				
1R13	Same as 1R01				
1R14	Same as 1R01				
1R15	Same as 1R01				

CIRCUIT REFERENCE	DESCRIPTION	IWATSU PART No.	CIRCUIT REFERENCE	DESCRIPTION	IWATSU PART No.
1IC02D	IC, SN74LS 244N	DIC142141	μ CPC MPS-001 [2]		
1IC02E	Same as 1IC02D		2C01	Cap., 0.0022 μ , \pm 10%, 50V, Film	DCF120151
1IC03A	Same as 1IC01A		2C02	Cap., 22 μ , -0 ~ +100%, 10V, Elect.	DCS431501
1IC03B	IC, SN74LS 273N	DIC142311	2C11	Cap., 100 μ , -10 ~ +150%, 10V, Elect.	DCE112751
1IC03C	Same as 1IC03B		2C12	Cap., 10 μ , -0 ~ +100%, 25V, Elect.	DCS461301
1IC03D	IC, SN74LS 365AN	DIC142871	2C13	Same as 2C12	
1IC03E	Same as 1IC02D		2C14	Same as 2C12	
1IC04A	IC, MB8516	DIC525101	2C15	Same as 2C12	
1IC04B	Same as 1IC04A		2C16	Cap., 0.01 μ , -20 ~ +80%, 50V, Cer.	DCC133571
1IC04E	IC, SN74LS 02N	DIC140031	2C17	Same as 2C16	
1IC05A	IC, SN74LS 85N	DIC140861	2C18	Same as 2C16	
1IC05B	IC, SN74LS 139N	DIC141291	2C19	Same as 2C16	
1IC05C	IC, SN74LS 30N	DIC140311	2C20	Same as 2C16	
1IC05D	IC, SN74LS 138N	DIC141281	2C21	Same as 2C16	
1IC05E	IC, SN74LS 32N	DIC140331	2C22	Same as 2C12	
1IC06A	Same as 1IC05A		2C23	Same as 2C12	
1IC06B	Same as 1IC05A		2C24	Same as 2C12	
1IC06D	IC, SN74LS 04N	DIC140051	2C25	Same as 2C16	
1IC06E	IC, SN74LS 03N	DIC140041	2R01	Res., 10k, \pm 2%, $\frac{1}{4}$ W, Metal	DRE133971
1IC07A	IC, μ PD8279C-5	DIC555291	2R02	Same as 2R01	
1IC07B	Same as 1IC06D		2R03	Res., 10, \pm 5%, $\frac{1}{4}$ W, Carbon	DRD134351
1IC07C	IC, μ PD8291A	DIC555451	2R04	Res., 820, \pm 5%, $\frac{1}{4}$ W, Carbon	DRD134811
1IC07D	IC, MC 3448AL	DIC190381	2R51	Res., 10k, \pm 5%, $\frac{1}{4}$ W, Carbon	DRD135071
1IC07E	Same as 1IC07D		2R52	Same as 2R51	
1IC08D	Same as 1IC07D		2RA01	Resistor array, 10k, \pm 10%, Carbon	DFB011311
1IC08E	Same as 1IC07D		2RA02	Same as 2RA01	
1IC09A	IC, SN74LS 156N	DIC141441	2RA03	Same as 2RA01	
1IC09B	Same as 1IC09A		2RA04	Same as 2RA01	
1J01	Connector, M31-M87-10	DCN034531	2RA05	Same as 2RA01	
1J02	Same as 1J01		2RA06	Same as 2RA01	
1J03	Connector, M31-M87-15	DCN034551			
1P01	Connector, M33-10-30-134p	DCN034821			
1P02	Same as 1P01				
1P03	Connector, M33-15-30-134p	DCN034841			

CIRCUIT REFERENCE	DESCRIPTION	IWATSU PART No.	CIRCUIT REFERENCE	DESCRIPTION	IWATSU PART No.
2D01	Diode, 1S953	DDD010051	2IC0D8	IC, SN74LS 04N	DIC140051
			2IC0D9	Same as 2IC0B10	
			2IC0D10	Same as 2IC0D3	
			2IC0E10	Same as 2IC0D8	
2IC0A2	IC, D-8085 AHC/AC	DIC550531	2BB01	Bus-bar, B5206-1000-10	DZB034551
2IC0A3	IC, SN74LS 373N	DIC142931	2BB02	Same as 2BB01	
2IC0A5	IC, MB8516	DIC525101	2BB03	Same as 2BB01	
2IC0A6	Same as 2IC0A5		2BB04	Same as 2BB01	
2IC0A7	Same as 2IC0A5		2BB05	Same as 2BB01	
2IC0A8	Same as 2IC0A5		2BB06	Same as 2BB01	
2IC0A41	IC, SN74LS 367AN	DIC142891			
2IC0A42	Same as 2IC0A41				
2IC0A91	IC, HM472114 p-4	DIC515101			
2IC0A92	Same as 2IC0A91				
2IC0A101	Same as 2IC0A91				
2IC0A/02	Same as 2IC0A91				
2IC0B1	IC, SN74LS 14N	DIC140151			
2IC0B2	IC, SN74LS 365AN	DIC142871			
2IC0B3	Same as 2IC0B2				
2IC0B4	IC, μ pB8216	DIC555321			
2IC0B5	Same as 2IC0B4				
2IC0B6	Same as 2IC0B4				
2IC0B7	Same as 2IC0B4				
2IC0B8	IC, SN74LS 173N	DIC141601			
2IC0B9	IC, SN74LS 112N	DIC141111			
2IC0B10	IC, SN74LS 08N	DIC140091			
2IC0C1	IC, SN74LS 123N	DIC141181			
2IC0C2	Same as 2IC0B2	DIC142871			
2IC0C3	IC, SN74LS 138N	DIC141281			
2IC0C4	Same as 2IC0C3				
2IC0C5	Same as 2IC0B9				
2IC0C6	Same as 2IC0B9				
2IC0C7	Same as 2IC0B8				
2IC0C8	Same as 2IC0B9				
2IC0C9	IC, SN74LS 30N	DIC140311			
2IC0C10	IC, SN74LS 74AN	DIC140751			
2IC0D1	Same as 2IC0B1				
2IC0D2	IC, SN74LS 02N	DIC140031			
2IC0D3	IC, SN74LS 00N	DIC140011			
2IC0D4	IC, SN74LS 27N	DIC140281			
2IC0D5	IC, SN74LS 11N	DIC140121			
2IC0D6	Same as 2IC0C3				
2IC0D7	Same as 2IC0C3				

CIRCUIT REFERENCE	DESCRIPTION	IWATSU PART No.	CIRCUIT REFERENCE	DESCRIPTION	IWATSU PART No.
STAIR CONTROL BOARD STRC 3					
3C01	Cap., 220p, $\pm 10\%$, 50V, Cer.	DCC234501	3R05	Same as 3R03	
3C02	Same as 3C01		3R06	Same as 3R03	
3C03	Cap., 82p, $\pm 10\%$, 50V, Cer.	DCC233801	3R07	Same as 3R03	
3C04	Same as 3C01		3R08	Same as 3R03	
3C05	Same as 3C01		3R09	Res., 5.6k, $\pm 2\%$, $\frac{1}{4}W$, Metal	DRE133911
3C06	Cap., 4.7 μ , -0 ~ +100%, 25V, Elect.	DCS461101	3R10	Res., 1.1k, $\pm 2\%$, $\frac{1}{4}W$, Metal	DRE133741
3C07	Same as 3C03		3R11	Res., 1k, $\pm 2\%$, $\frac{1}{4}W$, Metal	DRE133731
3C08	Cap., 100p, $\pm 10\%$, 50V, Cer.	DCC234001	3R12	Same as 3R11	
3C09	Cap., 47 μ , -10 ~ +50%, 10V, Elect.	DCE112651	3R13	Same as 3R03	
3C10	Cap., 33 μ , -10 ~ +50%, 25V, Elect.	DCE122601	3R14	Same as 3R03	
3C11	Same as 3C10		3R21	Res., B20k, Var., 0.5W, Metal	DRV410211
3C12	Cap., 4.7 μ , $\pm 20\%$, 35V, Elect. Tan.	DCS471101	3R22	Res., B100k, Var., 0.5W, Metal	DRV410231
3C13	Same as 3C12		3R23	Res., B1k, Var., 0.5W, Metal	DRV410171
3C14	Cap., 0.01 μ , -20 ~ +80%, 50V, Cer.	DCC133571	3R24	Same as 3R21	
3C15	Same as 3C14		3RA01	Resistor array, 4.7k, $\pm 10\%$, Carbon	DFB011151
3C16	Same as 3C14		3IC01A	IC, SN74LS 273N	DIC142311
3C17	Cap., 10 μ , $\pm 20\%$, 25V, Elect. Tan.	DCS461301	3IC01B	Same as 3IC01A	
3C18	Same as 3C14		3IC01C	Same as 3IC01A	
3C19	Same as 3C17		3IC01D	Same as 3IC01A	
3C20	Same as 3C14		3IC01E	IC, SN74LS 244N	DIC142141
3C21	Same as 3C17		3IC02A	IC, SN74LS 85N	DIC140861
3C22	Same as 3C14		3IC02B	IC, SN74LS 193N	DIC141801
3C23	Same as 3C17		3IC02C	Same as 3IC02A	
3C24	Same as 3C14		3IC02D	Same as 3IC02B	
3C25	Same as 3C17		3IC02E	Same as 3IC01E	
3C26	Same as 3C08		3IC03B	Same as 3IC02B	
3C27	Same as 3C08		3IC03C	Same as 3IC02A	
3C28	Same as 3C01		3IC03D	Same as 3IC02B	
3R01	Res., 18k, $\pm 2\%$, $\frac{1}{4}W$, Metal	DRE134031	3IC04B	Same as 3IC02A	
3R02	Res., 6.2k, $\pm 2\%$, $\frac{1}{4}W$, Metal	DRE133921	3IC04C	IC, SN74LS 138N	DIC141281
3R03	Res., 3.9k, $\pm 2\%$, $\frac{1}{4}W$, Metal	DRE133871	3IC04D	IC, SN74LS 367AN	DIC142891
3R04	Res., 27k, $\pm 2\%$, $\frac{1}{4}W$, Metal	DRE134071	3IC04E	IC, MC3410CL	DIC641581
			3IC05A	IC, SN74LS 221N	DIC142071
			3IC05B	IC, SN74LS 00N	DIC140011
			3IC05C	IC, SN74LS 04N	DIC140051
			3IC05D	IC, SN74LS 139N	DIC141291
			3IC06A	IC, SN74LS 107AN	DIC141061

CIRCUIT REFERENCE	DESCRIPTION	IWATSU PART No.	CIRCUIT REFERENCE	DESCRIPTION	IWATSU PART No.
3IC06B	IC, SN74LS 08N	DIC140091	20 BIT MEMORY BOARD MEMA [4]		
3IC06C	Same as 3IC05B		4C01	Cap., 47 μ , -10 ~ +150%, 10V, Elect.	DCE112651
3IC06D	IC, SN74LS 153N	DIC141411	4C02	Cap., 33 μ , -10 ~ +150%, 25V, Elect.	DCE122601
3IC06E	IC, LF 356H	DIC613581	4C03	Same as 4C02	
3IC07A	Same as 3IC05A		4C04	Cap., 0.01 μ , -20 ~ +80%, 50V, Cer.	DCC133571
3IC07B	Same as 3IC06A		4C05	Same as 4C04	
3IC07C	IC, SN74LS 10N	DIC140111	4C06	Same as 4C04	
3IC07D	Same as 3IC05C		4C07	Same as 4C04	
3IC08B	IC, SN74LS 32N	DIC140331	4C08	Same as 4C04	
3IC08C	Same as 3IC05B		4C09	Cap., 10 μ , -0 ~ +100%, 25V, Elect. Tan.	DCS461301
3IC08D	Same as 3IC05C		4C10	Same as 4C04	
3IC08E	Same as 3IC05A		4C11	Same as 4C04	
3IC09A	IC, SN74LS 86N	DIC140871	4C12	Same as 4C04	
3IC09B	IC, SN74LS 74AN	DIC140751	4C13	Same as 4C04	
3IC09C	Same as 3IC09B		4C14	Same as 4C04	
3IC09D	Same as 3IC05B		4C15	Same as 4C09	
			4C16	Same as 4C04	
			4C17	Same as 4C04	
			4C18	Same as 4C04	
			4C19	Same as 4C04	
			4C20	Same as 4C04	
			4C21	Same as 4C04	
			4C22	Same as 4C09	
			4C23	Same as 4C04	
			4C24	Same as 4C04	
			4C25	Same as 4C04	
			4C26	Same as 4C04	
			4C27	Same as 4C04	
			4C28	Same as 4C04	
			4C29	Same as 4C09	
			4C30	Same as 4C04	
			4C31	Same as 4C04	
			4C32	Same as 4C04	
			4C33	Same as 4C04	
			4C34	Same as 4C04	
			4C35	Same as 4C09	
			4C36	Same as 4C04	

CIRCUIT REFERENCE	DESCRIPTION	IWATSU PART No.	CIRCUIT REFERENCE	DESCRIPTION	IWATSU PART No.
4C37	Same as 4C04		4IC02E	Same as 4IC01E	
4C08	Same as 4C04		4IC03A	Same as 4IC01A	
4C39	Cap., 4.7 μ , \pm 20%, 35V, Elect. Tan.	DCS471101	4IC03B	Same as 4IC01B	
4C40	Same as 4C39		4IC03C	Same as 4IC01B	
4C41	Same as 4C39		4IC03D	Same as 4IC01A	
4C42	Same as 4C39		4IC03E	IC, SN74LS 85N	DIC140861
4C43	Cap., 82p, \pm 10%, 50V, Cer.	DCC233801	4IC04A	Same as 4IC01A	
4C44	Cap., 560p, \pm 10%, 50V, Cer.	DCC131501	4IC04B	Same as 4IC01B	
4C45	Same as 4C44		4IC04C	Same as 4IC01B	
			4IC04D	Same as 4IC01A	
			4IC05A	Same as 4IC01A	
			4IC05B	Same as 4IC01B	
4R01	Res., 10k, \pm 2%, $\frac{1}{4}$ W, Metal	DRE133971	4IC05C	Same as 4IC01B	
4R02	Res., 1.1k, \pm 2%, $\frac{1}{4}$ W, Metal	DRE133741	4IC05D	Same as 4IC01E	
4R03	Res., 1k, \pm 2%, $\frac{1}{4}$ W, Metal	DRE133731	4IC05E	IC, SN74LS 138N	DIC141281
4R04	Res., 11k, \pm 2%, $\frac{1}{4}$ W, Metal	DRE133981	4IC06B	IC, SN74LS 221N	DIC142071
4R05	Same as 4C03		4IC06C	Same as 4IC01B	
4R06	Same as 4C01		4IC06D	Same as 4IC01A	
4R07	Same as 4C02		4IC06E	Same as 4IC01E	
4R08	Same as 4C03		4IC07A	IC, SN74LS 174N	DIC141611
4R09	Same as 4C04		4IC07B	Same as 4IC07A	
4R10	Same as 4C03		4IC07C	IC, SN74LS 00N	DIC140011
4R11	Res., B10k, Var., 0.5W, Cermet	DRV415201	4IC07D	Same as 4IC07C	
4R12	Same as 4R11		4IC07E	IC, SN74LS 04N	
4R14	Same as 4R11		4IC08A	Same as 4IC07A	
4R15	Same as 4R11		4IC08B	Same as 4IC07A	
4R17	Res., 4.7k, \pm 2%, $\frac{1}{4}$ W, Metal	DRE133891	4IC08C	IC, SN74LS 08N	DIC140091
			4IC08D	Same as 4IC07E	
			4IC08E	Same as 4IC08C	
4RA01	Resistor array, 4.7k, \pm 10%, Carbon	DFB011151	4IC09A	IC, MC3410CL	DIC641581
			4IC09B	IC, LF356H	DIC613581
			4IC09C	Same as 4IC09A	
4IC01A	IC, SN74LS 243N	DIC142131	4IC09D	IC, SN74LS 10N	DIC140111
4IC01B	IC, HM472114p-4	DIC515101	4IC09F	IC, SN74LS 107AN	DIC141061
4IC01C	Same as 4IC01B		4IC10A	Same as 4IC09B	
4IC01D	Same as 4IC01A				
4IC01E	IC, SN74LS 157N	DIC141451	4P01	Connector, M33-12-30-134p	DCN034831
4IC02A	Same as 4IC01A		4P02	Same as 4P01	
4IC02B	Same as 4IC01B				
4IC02C	Same as 4IC01B				
4IC02D	Same as 4IC01A				

CIRCUIT REFERENCE	DESCRIPTION	IWATSU PART No.	CIRCUIT REFERENCE	DESCRIPTION	IWATSU PART No.
PEAK-DETECT & TRIG BOARD [5]					
5C01	Cap., 0.01 μ , -20 ~ +80%, 50V, Cer.	DCC133571	5IC03E	Same as 5IC02E	
5C02	Cap., 47p, \pm 10%, 50V, Cer.	DCC233201	5IC04A	Same as 5IC02A	
5C03	Cap., 47 μ , -10 ~ +150%, 10V, Elect.	DCE112651	5IC04B	Same as 5IC02B	
5C04	Same as 5C01		5IC04C	Same as 5IC01E	
5C05	Cap., 10 μ , -0 ~ +100%, 25V, Elect. Tan.	DCS461301	5IC04D	Same as 5IC02D	
5C06	Same as 5C01		5IC04E	Same as 5IC02E	
5C07	Same as 5C05		5IC05A	Same as 5IC02A	
5C08	Same as 5C01		5IC05B	Same as 5IC02B	
5C09	Same as 5C05		5IC05C	IC, SN74LS 158N	DIC141461
5C10	Same as 5C05		5IC05D	Same as 5IC05C	
5C11	Same as 5C05		5IC05E	Same as 5IC01D	
5C12	Same as 5C05		5IC06A	Same as 5IC02A	
5C13	Same as 5C05		5IC06B	Same as 5IC02B	
5C14	Same as 5C05		5IC06C	Same as 5IC01C	
5C15	Same as 5C05		5IC06D	IC, SN74LS 02N	DIC140031
			5IC06E	IC, SN74LS 00N	DIC140011
			5IC07A	IC, SN74LS 74AN	DIC140751
			5IC07B	Same as 5IC06D	
			5IC07C	Same as 5IC01D	
			5IC07D	IC, SN74LS 193N	DIC141801
			5IC07E	IC, SN74LS 175N	DIC141621
5R01	Res., 560, \pm 2%, $\frac{1}{4}$ W, Metal	DRE133671	5IC08A	IC, SN74LS 161AN	DIC141491
5R02	Same as 5R01		5IC08B	IC, SN74LS 107AN	DIC141061
			5IC08C	Same as 5IC01C	
			5IC08D	Same as 5IC06D	
			5IC08E	IC, SN74LS 390N	DIC143031
5RA01	Resistor array, 4.7k, \pm 10%, Carbon	DFB011151	5IC09A	IC, SN74LS 138N	DIC141281
			5IC09B	Same as 5IC09A	
			5IC09C	IC, SN74LS 279N	DIC142361
			5IC09D	Same as 5IC06D	
5IC01B	IC, SN74LS 04N	DIC140051			
5IC01C	IC, SN74LS 08N	DIC140091	5J01	Connector, M31-M87-12	DCN034541
5IC01E	IC, SN74LS 85N	DIC140861	5J02	Same as 5J01	
5IC02A	IC, SN74LS 395AN	DIC143051			
5IC02B	IC, SN74LS 283AN	DIC142391			
5IC02C	Same as 5IC01E				
5IC02D	IC, SN74LS 670N	DIC143551	5X01	Crystal OSC., HC-18/U, 10.000 MHz	DHF010271
5IC02E	IC, μ PB8216	DIC555321			
5IC03A	Same as 5IC02A				
5IC03B	Same as 5IC02B				
5IC03C	Same as 5IC01E				
5IC03D	Same as 5IC02D				

CIRCUIT REFERENCE	DESCRIPTION	IWATSU PART No.	CIRCUIT REFERENCE	DESCRIPTION	IWATSU PART No.
CHARACTER DISPLAY BOARD [6]					
6C01	Cap., 0.01 μ , -20 ~ +80%, 50V, Cer.	DCC133571	6R05	Same as 6R01	
6C02	Same as 6C01		6R06	Same as 6R01	
6C03	Same as 6C01		6R07	Same as 6R01	
6C04	Same as 6C01		6R08	Same as 6R03	
6C05	Cap., 100p, \pm 10%, 50V, Cer.	DCC234001	6R09	Res., 5.6k, \pm 2%, $\frac{1}{4}$ W, Metal	DRE133911
6C06	Cap., 47 μ , -10 ~ +150%, 10V, Elect.	DCE112651	6R10	Res., 1.1k, \pm 2%, $\frac{1}{4}$ W, Metal	DRE133741
6C07	Cap., 33 μ , -10 ~ +150%, 25V, Elect.	DCE122601	6R11	Same as 6R01	
6C08	Same as 6C07		6R12	Same as 6R10	
6C09	Same as 6C01		6R13	Res., B20k, Var., 0.5W, Metal	DRV410221
6C10	Same as 6C01		6R14	Res., B20k, Var., 0.5W, Metal	DRV410211
6C11	Same as 6C01		6R15	Same as 6R13	
6C12	Cap., 10 μ , -10 ~ +100%, 25V, Elect. Tan.	DCS461301	6R16	Res., B1k, Var., 0.5W, Metal	DRV410171
6C13	Same as 6C01		6R17	Same as 6R14	
6C14	Same as 6C01		6R18	Same as 6R14	
6C15	Same as 6C12		6R19	Res., 270, \pm 2%, $\frac{1}{4}$ W, Metal	DRE133591
6C16	Same as 6C01		6R20	Same as 6R19	
6C17	Same as 6C12		6RA01	Resistor array, 4.7k, \pm 10%, Carbon	DFB011151
6C18	Same as 6C01		6RA02	Resistor array, 10k, \pm 10%, Carbon	DFB011311
6C19	Same as 6C12		6IC01A	IC, SN74LS 243N	DIC142131
6C20	Same as 6C01		6IC01B	Same as 6IC01A	
6C21	Same as 6C12		6IC01C	IC, SN74LS 157N	DIC141451
6C22	Cap., 4.7 μ , -0 ~ +100%, 35V, Elect. Tan.	DCS471101	6IC01D	IC, SN74LS 74AN	DIC140751
6C23	Same as 6C22		6IC02A	IC, HM47211p-4	DIC515101
6C24	Same as 6C22		6IC02B	Same as 6IC02A	
6C25	Same as 6C22		6IC02C	Same as 6IC01C	
6C26	Same as 6C22		6IC02D	Same as 6IC01C	
6C27	Same as 6C22		6IC02E	IC, SN74LS 85N	DIC140861
6C28	Cap., 390p, \pm 10%, 50V, Cer.	DCC131101	6IC03B	IC, SN74LS 174N	DIC141611
6C29	Cap., 470p, \pm 10%, 50V, Cer.	DCC131201	6IC03C	Same as 6IC01C	
6R01	Res., 1k, \pm 2%, $\frac{1}{4}$ W, Metal	DRE133731	6IC03D	IC, SN74LS 08N	DIC140091
6R02	Same as 6R01		6IC03E	IC, SN74LS 04N	DIC140051
6R03	Res., 4.7k, \pm 2%, $\frac{1}{4}$ W, Metal	DRE133891	6IC04A	IC, MB8516	DIC525101
6R04	Res., 470, \pm 2%, $\frac{1}{4}$ W, Metal	DRE133651	6IC04B	IC, SN74LS 166AN	DIC156531
			6IC04C	Same as 6IC03D	
			6IC04D	IC, SN74LS 86N	DIC140871
			6IC04E	IC, SN74LS 32N	DIC140331

CIRCUIT REFERENCE	DESCRIPTION	IWATSU PART No.	CIRCUIT REFERENCE	DESCRIPTION	IWATSU PART No.
61C05A	Same as 61C03B				
61C05B	IC, SN74LS 27N	DIC140281			
61C05C	Same as 61C03E				
61C05D	Same as 61C03D				
61C05E	IC, SN74LS 11N	DIC140121			
61C06A	IC, SN74LS 273N	DIC142311			
61C06B	IC, SN74LS 393N	DIC143041			
61C06C	Same as 61C06B				
61C06D	IC, SN74LS 158N	DIC141461			
61C06E	Same as 61C06B				
61C07A	IC, MC3410CL	DIC641581			
61C07C	IC, DAC08EQ	DIC641571			
61C07D	Same as 61C07C				
61C08A	IC, LF356H	DIC613581			
61C08C	Same as 61C08A				
61C08D	Same as 61C08A				
			V. RANGE/ADC	7	
			7C01	Cap., 0.01 μ , -20 ~ +80%, 50V, Cer.	DCC133571
			7C02	Same as 7C01	
			7C03	Same as 7C01	
			7C04	Same as 7C01	
			7C05	Same as 7C01	
			7C06	Same as 7C01	
			7C07	Same as 7C01	
			7C08	Same as 7C01	
			7C09	Same as 7C01	
			7C10	Same as 7C01	
			7C11	Same as 7C01	
			7C12	Same as 7C01	
			7C13	Same as 7C01	
			7C14	Same as 7C01	
			7C15	Same as 7C01	
			7C16	Same as 7C01	
			7C17	Same as 7C01	
			7C18	Same as 7C01	
			7C19	Same as 7C01	
			7C20	Same as 7C01	
			7C21	Same as 7C01	
			7C22	Same as 7C01	
			7C23	Cap., 15p, \pm 10%, 50V, Cer.	DDD232001
			7C24	Same as 7C23	
			7C25	Cap., 270p, \pm 10%, 50V, Cer.	DCC234701
			7C26	1500p, \pm 10%, 50V, Film	DCF120131
			7C27	Same as 7C01	
			7C28	Same as 7C01	
			7C29	Same as 7C01	
			7C30	Same as 7C01	
			7C31	Same as 7C01	
			7C32	Same as 7C01	
			7C33	Cap., 470p, \pm 10%, 50V, Cer.	DCC235301
			7C34	Cap., 330p, \pm 10%, 50V, Cer.	DCC234901
			7C35	Cap., 4.7p, -0 ~ +100%, Elect. Tan.	DCS461101
			7C36	Same as 7C35	
			7C37	Same as 7C35	
			7C38	Same as 7C35	

CIRCUIT REFERENCE	DESCRIPTION	IWATSU PART No.	CIRCUIT REFERENCE	DESCRIPTION	IWATSU PART No.
7C39	Same as 7C01		7C78	Same as 7C01	
7C40	Same as 7C01		7C79	Same as 7C01	
7C41	Same as 7C01		7C80	Same as 7C35	
7C42	Same as 7C01		7C81	Same as 7C56	
7C43	Same as 7C01		7C82	Same as 7C56	
7C44	Same as 7C01		7C99	Same as 7C01	
7C45	Same as 7C01				
7C46	Same as 7C01				
7C47	Same as 7C01		7R01	Res., 400k, $\pm 0.5\%$, $\frac{1}{4}W$, Metal	DRE234411
7C48	Same as 7C01		7R02	Res., 200k, $\pm 0.5\%$, $\frac{1}{4}W$, Metal	DRE234401
7C49	Same as 7C01		7R03	Res., 100k, $\pm 0.5\%$, $\frac{1}{4}W$, Metal	DRE234011
7C50	Same as 7C01		7R04	Res., 40k, $\pm 0.5\%$, $\frac{1}{4}W$, Metal	DRE233771
7C51	Same as 7C01		7R05	Res., 20k, $\pm 0.5\%$, $\frac{1}{4}W$, Metal	DRE234391
7C52	Same as 7C01		7R06	Res., 10k, $\pm 0.5\%$, $\frac{1}{4}W$, Metal	DRE233591
7C53	Same as 7C01		7R07	Res., 4k, $\pm 0.5\%$, $\frac{1}{4}W$, Metal	DRE233461
7C54	Same as 7C01		7R08	Same as 7R04	
7C55	Same as 7C01		7R09	Res., 2k, $\pm 2\%$, $\frac{1}{4}W$, Metal	DRE133801
7C56	Cap., 10μ , $-0 \sim +100\%$, 25V, Elect. Tan.		7R10	Same as 7R09	
		DCS461301	7R11	Same as 7R01	
7C57	Same as 7C56		7R12	Same as 7R02	
7C58	Same as 7C56		7R13	Same as 7R03	
7C59	Same as 7C56		7R14	Same as 7R04	
7C60	Same as 7C56		7R15	Same as 7R05	
7C61	Same as 7C56		7R16	Same as 7R06	
7C62	Same as 7C56		7R17	Same as 7R07	
7C63	Same as 7C56		7R18	Same as 7R04	
7C64	Same as 7C56		7R19	Res., 10k, $\pm 2\%$, $\frac{1}{4}W$, Metal	DRE133971
7C65	Same as 7C56		7R20	Same as 7R19	
7C66	Same as 7C56		7R21	Res., 13k, $\pm 2\%$, $\frac{1}{4}W$, Metal	DRE134001
7C67	Same as 7C56		7R22	Same as 7R21	
7C68	Cap., 47μ , $-10 \sim +150\%$, 10V, Elect.		7R23	Same as 7R21	
		DCE112651	7R24	Same as 7R21	
7C69	Same as 7C68		7R25	Res., B5k, Var, 0.5W, Cermet	DRV410191
7C70	Cap., 22μ , $-10 \sim +150\%$, 25V, Elect.		7R26	Same as 7R25	
		DCE122551	7R27	Same as 7R09	
7C71	Same as 7C70		7R28	Same as 7R09	
7C72	Same as 7C01		7R29	Same as 3R09	
7C73	Same as 7C01		7R30	Same as 3R09	
7C74	Same as 7C01		7R31	Res., B20k, Var., 0.5W, Cermet	DRV410211
7C75	Same as 7C01		7R32	Same as 7R31	
7C76	Same as 7C01		7R33	Same as 7R19	
7C77	Same as 7C01		7R34	Same as 7R19	

CIRCUIT REFERENCE	DESCRIPTION	IWATSU PART No.	CIRCUIT REFERENCE	DESCRIPTION	IWATSU PART No.
7R35	Same as 7R19		7RA01	Resistor array, 10k, $\pm 10\%$, Carbon	
7R36	Same as 7R19				DFB011311
7R37	Same as 7R09		7RA02	Same as 7RA01	
7R38	Same as 7R09				
7R39	Same as 7R09				
7R40	Same as 7R09		7D01	Diode, 1S953	DDD010051
7R41	Res., 100, $\pm 2\%$, $\frac{1}{4}W$, Metal	DRE133491	7D02	Same as 7D01	
7R42	Same as 7R41		7D03	Same as 7D01	
7R43	Res., B10k, Var., 0.5W, Cermet	DRV410201	7D04	Same as 7D01	
7R44	Res., 5.1k, $\pm 2\%$, $\frac{1}{4}W$, Metal	DRE133901	7D05	Diode, 1SS16	DDD010411
7R45	Same as 7R43		7D06	Same as 7D05	
7R46	Res., 3.9k, $\pm 2\%$, $\frac{1}{4}W$, Metal	DRE133871	7D07	Same as 7D05	
7R47	Res., 4.7k, $\pm 2\%$, $\frac{1}{4}W$, Metal	DRE133891	7D08	Diode, TLR124	DDD070971
7R48	Res., B2k, Var., 0.5W, Cermet	DRV410171	7D10	Diode, RD 24 EB	DDD033551
7R49	Res., 1.5k, $\pm 1\%$, $\frac{1}{4}W$, Metal	DRE130871			
7R50	Res., 10, $\pm 2\%$, $\frac{1}{4}W$, Metal	DRE133251			
7R51	Res., 100k, $\pm 2\%$, $\frac{1}{4}W$, Metal	DRE134211	7Q01	Transistor, 2SA711	DTR110551
7R52	Res., 1k, $\pm 2\%$, $\frac{1}{4}W$, Metal	DRE133731	7Q02	Transistor, 2SC1254	DTR130861
7R53	Res., B1k, Var., 0.5W, Cermet	DRV410171	7Q03	Same as 7Q02	
7R54	Res., 3.3k, $\pm 2\%$, $\frac{1}{4}W$, Metal	DRE133851	7Q04	Same as 7Q02	
7R55	Same as 7R52				
7R56	Same as 7R44				
7R57	Same as 7R41		7IC01	IC, SN74LS 174N	DIC141611
7R58	Same as 7R19		7IC02	IC, SN74LS 138N	DIC141281
7R59	Res., 33k, $\pm 2\%$, $\frac{1}{4}W$, Metal	DRE134091	7IC03	Same as 7IC02	
7R60	Same as 7R19		7IC04	IC, HI3-201-5	DIC632551
7R61	Same as 7R47		7IC05	Same as 7IC04	
7R62	Res., B500, Var., 0.5W, Cermet	DRV410161	7IC06	Same as 7IC04	
7R63	Res., 1.0k, $\pm 1\%$, $\frac{1}{4}W$, Metal	DRE130831	7IC07	Same as 7IC04	
7R64	Same as 7R09		7IC08	IC, μ PC 251C	DIC610091
7R65	Same as 7R47		7IC09	Same as 7IC08	
7R66	Res., 300, $\pm 2\%$, $\frac{1}{4}W$, Metal	DRE133601	7IC10	IC, LF 356H	DIC613581
7R67	Res., 220, $\pm 2\%$, $\frac{1}{4}W$, Metal	DRE133571	7IC11	Same as 7IC10	
7R68	Res., 510k, $\pm 1\%$, $\frac{1}{4}W$, Metal	DRE130761	7IC12	Same as 7IC10	
7R69	Same as 7R25		7IC13	Same as 7IC10	
7R70	Same as 7R52		7IC14	Same as 7IC10	
7R71	Same as 7R52		7IC15	Same as 7IC10	
7R80	Same as 7R31		7IC16	IC, HI1-201 HS-5	DIC632621
7R81	Same as 7R31		7IC17	Same as 7IC04	
7R82	Same as 7R25		7IC18	Same as 7IC04	
			7IC19	IC, SN74LS 00N	DIC140011
			7IC20	Same as 7IC19	

CIRCUIT REFERENCE	DESCRIPTION	IWATSU PART No.	CIRCUIT REFERENCE	DESCRIPTION	IWATSU PART No.
71C21	IC, SN74LS 74AN	DIC140751	TRIGGER CIRCUIT [8]		
71C22	IC, SN74LS 123N	DIC141181	8C01	Cap., 10 μ , \pm 20%, 25V, Elect. Tan.	DCS461301
71C23	Same as 71C10		8C02	Cap., 0.01 μ , -20 ~ +80%, 50V, Cer.	DCC133571
71C24	Same as 71C10		8C03	Same as 8C02	
71C25	Same as 71C10		8C04	Same as 8C02	
71C26	Same as 71C21		8C06	Cap., 4.7 μ , -10 ~ +150%, 100V, Elect.	DCE152401
71C27	IC, SN 74132N	DIC111231	8C07	Cap., 0.01 μ , -0 ~ +100%, 50V, Cer.	DCC237421
71C28	IC, LF 356H	DIC613581	8C08	Cap., 3.3 μ , \pm 20%, 16V, Elect. Tan.	DCS541001
71C29	IC, LM 361H	DIC630631	8C09	Cap., 47p, \pm 5%, 300V, \pm 5%, Mica	DCM252711
71C30	IC, Am 2504PC	DIC191491	8C10	Same as 8C02	
71C31	IC, HI1-5610-5	DIC641821	8C11	Same as 8C02	
71C32	IC, SN74LS 173N	DIC141601	8C12	Same as 8C02	
71C33	Same as 71C32		8C13	Same as 8C02	
71C34	Same as 71C32		8C14	Same as 8C02	
71C35	Same as 71C10		8C15	Same as 8C02	
71C36	Same as 71C10		8C16	Same as 8C02	
			8C17	Same as 8C01	
7PB1800	Printed Circuit Board, V. RANGE/ADC	KPN130031	8C19	Cap., 33p, \pm 5%, 300V, Mica	DCM252511
			8C20	Cap., 0.1 μ , \pm 10%, 100V, Film	DCF132191
			8C21	Cap., 100 μ , -0 ~ +100%, 3.15V, Elect. Tan.	DCS411901
			8C22	Same as 8C02	
			8C23	Cap., 100p, \pm 5%, 300V, Mica	DCM253211
			8C24	Same as 8C23	
			8C25	Cap., 1 μ , -0 ~ +100%, 25V, Elect. Tan.	DCS460701
			8C26	Same as 8C20	
			8C27	Cap., 2.2 μ , -10 ~ +150%, 100V, Elect.	DCE152301
			8C28	Cap., 10p, \pm 0.5p, 300V, Mica	DCM251711
			8C29	Cap., 20p, Var., 500V, Cer.	DCV011141
			8C30	Same as 8C20	
			8C32	Same as 8C02	
			8C33	Same as 8C01	
			8C35	Cap., 15p, \pm 0.5%, 300V, Mica	DCM251911

CIRCUIT REFERENCE	DESCRIPTION	IWATSU PART No.	CIRCUIT REFERENCE	DESCRIPTION	IWATSU PART No.
8C36	Cap., 1000p, $\pm 10\%$, 50V, Film	DCF120111	8C74	Same as 8C02	
8C37	Cap., 150p, $\pm 10\%$, 50V, Cer.	DCC234201	8C75	Same as 8C01	
8C38	Cap., 33 μ , $-10 \sim +150\%$, 25V, Film	DCE122601	8C76	Same as 8C01	
8C39	Same as 8C36		8C77	Same as 8C01	
8C40	Same as 8C02		8C78	Same as 8C01	
8C41	Same as 8C01		8C79	Same as 8C01	
8C42	Same as 8C01		8C80	Same as 8C01	
8C43	Same as 8C01		8C81	Same as 8C01	
8C44	Same as 8C02		8C82	Same as 8C01	
8C45	Same as 8C02		8C83	Same as 8C01	
8C46	Same as 8C02		8C84	Same as 8C01	
8C47	Same as 8C01		8C90	Cap., 470p, $\pm 5\%$, 300V, Mica	DCM254211
8C48	Cap., 0.0068 μ , $\pm 10\%$, 50V, Film	DCF120211	8C92	Same as 8C36	
8C49	Cap., 10 μ , $-0 \sim +100\%$, 25V, Elect. Tan.	DCS261301	8R01	Res., B500, Var., 1.5W, W.W.	DRV760371
8C50	Cap., 1 μ , $\pm 10\%$, 35V, Elect. Tan.	DCS270711	8R02a	Res., B1k, Var., 0.25W, Carbon	DRV146581
8C51	Same as 8C20		8R02b	Same as 8R02a	
8C52	Cap., 0.01p, $\pm 10\%$, 200V, Film	DCF252231	8R03	Res., 1k, $\pm 2\%$, $\frac{1}{4}W$, Metal	DRE133731
8C53	Cap., 10 μ , $\pm 1\%$, 50V, Film	DCF420301	8R04	Res., 20k, $\pm 2\%$, $\frac{1}{4}W$, Metal	DRE134041
8C54	Cap., 1 μ , $\pm 1\%$, 50V, Film	DCF420281	8R05	Res., 220, $\pm 2\%$, $\frac{1}{4}W$, Metal	DRE133571
8C55	Cap., 0.1 μ , $\pm 1\%$, 50V, Film	DCF420271	8R06	Res., 270, $\pm 2\%$, $\frac{1}{4}W$, Metal	DRE133591
8C56	Cap., 9900p, $\pm 0.25\%$, 50V, Film	DCF125791	8R07	Res., B200, Var., 0.5W, Cermet	DRV410151
8C57	Cap., 820p, $\pm 5\%$, 500V, Mica	DCM564621	8R08	Res., 1k, $\pm 2\%$, $\frac{1}{4}W$, Metal	DRE133731
8C58	Cap., 110p, Var., 500V, Cer.	DCV018521	8R09	Res., 390, $\pm 2\%$, $\frac{1}{4}W$, Metal	DRE133631
8C59	Cap., 0.1 μ , $-0 \sim +100\%$, 35V, Elect. Tan.	DCS470101	8R10	Res., 24k, $\pm 2\%$, $\frac{1}{4}W$, Metal	DRE134061
8C60	Same as 8C59		8R11	Res., 30k, $\pm 2\%$, $\frac{1}{4}W$, Metal	DRE134081
8C61	Cap., 22 μ , $-10 \sim +150\%$, 25V, Elect.	DCE122551	8R12	Res., 2k, $\pm 2\%$, $\frac{1}{4}W$, Metal	DRE133801
8C62	Same as 8C61		8R13	Res., 180, $\pm 2\%$, $\frac{1}{2}W$, Metal	DRE143551
8C63	Cap., 47 μ , $-10 \sim +150\%$, 10V, Elect.	DCE112651	8R14	Res., 10, $\pm 2\%$, $\frac{1}{4}W$, Metal	DRE133251
8C65	Same as 8C01		8R15	Res., 1M, $\pm 2\%$, $\frac{1}{2}W$, Metal	DRE144451
8C66	Same as 8C02		8R16	Res., 51, $\pm 2\%$, $\frac{1}{4}W$, Metal	DRE133421
8C67	Same as 8C02		8R17	Same as 8R5	
8C68	Same as 8C02		8R18	Same as 8R5	
8C69	Same as 8C02		8R19	Same as 8R16	
8C70	Same as 8C02		8R20	Res., 75, $\pm 2\%$, $\frac{1}{4}W$, Metal	DRE133461
8C71	Same as 8C02		8R21	Same as 8R08	
8C72	Same as 8C02		8R22	Same as 8R08	
8C73	Same as 8C02		8R23	Same as 8R08	
			8R24	Same as 8R08	
			8R25	Res., 15k, $\pm 2\%$, $\frac{1}{4}W$, Metal	DRE134011
			8R26	Same as 8R25	

CIRCUIT REFERENCE	DESCRIPTION	IWATSU PART No.	CIRCUIT REFERENCE	DESCRIPTION	IWATSU PART No.
8R27	Same as 8R08		8R71	Same as 8R08	
8R28	Same as 8R08		8R72	Same as 8R16	
8R29	Res., 470, $\pm 2\%$, $\frac{1}{4}W$, Metal	DRE133651	8R73	Res., 100, Var., 0.5W, Cermet	DRV410141
8R30	Res., B1k, Var., 0.5W, Cermet	DRV415171	8R74	Same as 8R53	
8R31	Same as 8R08		8R75	Same as 8R53	
8R32	Same as 8R29		8R76	Res., 5.1k, $\pm 1\%$, $\frac{1}{4}W$, Metal	DRE131001
8R33	Res., 560, $\pm 2\%$, $\frac{1}{4}W$, Metal	DRE133671	8R77	Same as 8R76	
8R34	Res., 100, $\pm 2\%$, $\frac{1}{4}W$, Metal	DRE133491	8R78	Same as 8R76	
8R35	Same as 8R25		8R79	Same as 8R76	
8R36	Same as 8R14		8R80	Same as 8R59	
8R37	Same as 8R29		8R81	Same as 8R59	
8R38	Same as 8R11		8R82	Same as 8R59	
8R39	Res., 5.1k, $\pm 2\%$, $\frac{1}{4}W$, Metal	DRE133901	8R83	Res., 9.1k, $\pm 2\%$, $\frac{1}{4}W$, Metal	DRE133961
8R40	Res., 510, $\pm 2\%$, $\frac{1}{4}W$, Metal	DRE133661	8R84	Same as 8R30	
8R41	Res., 300, $\pm 2\%$, $\frac{1}{4}W$, Metal	DRE133601	8R85	Res., 20, $\pm 0.5\%$, $\frac{1}{4}W$, Metal	DRE234271
8R42	Same as 8R08		8R86	Res., 30, $\pm 0.5\%$, $\frac{1}{4}W$, Metal	DRE234281
8R43	Same as 8R40		8R87	Res., 50, $\pm 0.5\%$, $\frac{1}{4}W$, Metal	DRE234291
8R44	Same as 8R41		8R88	Res., 100, $\pm 0.5\%$, $\frac{1}{4}W$, Metal	DRE234331
8R45	Res., 150, $\pm 2\%$, $\frac{1}{4}W$, Metal	DRE133531	8R89	Res., 300, $\pm 0.5\%$, $\frac{1}{4}W$, Metal	DRE234351
8R46	Res., B1k, Var., 0.5W, Cermet	DRV410171	8R90	Res., 500, $\pm 0.5\%$, $\frac{1}{4}W$, Metal	DRE234371
8R47	Same as 8R41		8R91	Res., 1k, $\pm 0.5\%$, $\frac{1}{4}W$, Metal	DRE139671
8R48	Res., 2.7k, $\pm 2\%$, $\frac{1}{4}W$, Metal	DRE133831	8R92	Res., 3k, $\pm 0.5\%$, $\frac{1}{4}W$, Metal	DRE234381
8R49	Res., 130, $\pm 2\%$, $\frac{1}{4}W$, Metal	DRE133521	8R93	Same as 8R64	
8R50	Same as 8R39		8R94	Same as 8R39	
8R51	Res., 1.8k, $\pm 2\%$, $\frac{1}{4}W$, Metal	DRE133791	8R95	Res., B100, Var., 0.5W, Cermet	DRV415141
8R52	Same as 8R51		8R96	Same as 8R73	
8R53	Res., 3.3k, $\pm 2\%$, $\frac{1}{4}W$, Metal	DRE133851	8R97	Res., B500, Var., 0.5W, Cermet	DRV410161
8R54	Same as 8R30		8R98	Same as 8R34	
8R55	Same as 8R14				
8R56	Res., 910, $\pm 2\%$, $\frac{1}{4}W$, Metal	DRE133721			
8R57	Same as 8R34		8RA01	Resistor array, 10k, $\pm 10\%$, Carbon	DFB011311
8R58	Same as 8R29				
8R59	Res., 100k, $\pm 2\%$, $\frac{1}{4}W$, Metal	DRE133971	8RA02	Same as 8RA01	
8R60	Same as 8R59				
8R61	Same as 8R08				
8R62	Same as 8R41		8D01	Diode, 1S953	DDD010051
8R63	Same as 8R41		8D02	Diode, RD15EB	DDD030351
8R66	Same as 8R39		8D03	Diode, RD5.1EB	DDD030571
8R67	Same as 8R53		8D04	Same as 8D01	
8R68	Same as 8R11		8D05	Same as 8D01	
8R69	Same as 8R41		8D06	Diode, TD-293B	DDD050191
8R70	Res., 82, $\pm 2\%$, $\frac{1}{4}W$, Metal	DRE133471	8D07	Same as 8D01	

CIRCUIT REFERENCE	DESCRIPTION	IWATSU PART No.	CIRCUIT REFERENCE	DESCRIPTION	IWATSU PART No.
8D08	Diode, 1SS16	DDD010411	8IC01	IC, μ PC151C	DIC610021
8D09	Same as 8D08		8IC02	Same as 8IC01	
8D10	Diode, 1SS154	DDD818161	8IC03	IC, μ PC 14305	DIC650021
8D11	Same as 8D01		8IC04	IC, SN74LS 174N	DIC141611
8D12	Same as 8D01		8IC05	IC, SN74LS 138N	DIC141281
8D13	Same as 8D01		8IC06	IC, SN74LS 00N	DIC140011
8D14	Same as 8D01		8IC08	Same as 8IC06	
8D15	Same as 8D01		8IC08	Same as 8IC06	
8D16	Same as 8D01		8IC09	IC, SN7407N	DIC110081
8D17	Same as 8D01		8IC10	Same as 8IC09	
8D18	Same as 8D01		8IC11	IC, SN74S 00N	DIC170011
8D19	Same as 8D01		8IC12	IC, SN74LS 122N	DIC141171
8D20	Same as 8D01		8IC14	IC, SN74 123N	DIC111181
8D21	Same as 8D08		8IC15	IC, SN74S 132N	DIC174341
8D22	Same as 8D08		8IC16	IC, LF 356H	DIC613581
8D23	Diode, 1SZ52	DDD034321	8IC17	IC, HI3-201-5	DIC632551
8D24	Same as 8D01		8IC18	Same as 8IC17	
8D25	Same as 8D01		8IC19	Same as 8IC17	
8D26	Same as 8D10		8IC20	Same as 8IC16	
8D27	Same as 8D01		8IC21	IC, μ PC 258C	DIC613571
8D30	Diode, RD20EB	DDD034091	8IC22	Same as 8IC16	
			8IC23	IC, SN7406N	DIC110071
8Q01	Transistor, 2SC2149	DTR137141			
8Q02	Same as 8Q01		8S01	Switch, SLBP 222C	DSW051011
8Q03	Transistor, SD215DE	DTR295141	8S02	Same as 8S01	
8Q04	Same as 8Q03				
8Q05	Transistor, 2SA1015-Y	DTR116111			
8Q06	Same as 8Q05		8RL01	Relay, NR-S-5V	DKD066021
8Q07	Transistor, 2SA800	DTR115701	8RL02	Same as 8RL01	
8Q08	Transistor, FT 1125	DTR190321	8RL03	Same as 8RL01	
8Q09	Transistor, 2SC1216F	DTR130801	8RL04	Same as 8RL01	
8Q10	Transistor, 2SA 708A	DTR110531	8RL05	Same as 8RL01	
8Q11	Same as 8Q09		8RL06	Same as 8RL01	
8Q12	Same as 8Q09		8RL07	Same as 8RL01	
8Q13	Transistor, 2SC943	DTR130481	8RL08	Same as 8RL01	
8Q14	Transistor, 2SC 1815GR	DTR137781	8RL09	Same as 8RL01	
8Q15	Transistor, 2SA 711	DTR110551	8RL10	Same as 8RL01	
8Q16	Same as 8Q14		8RL11	Same as 8RL01	
8Q17	Same as 8Q14		8RL12	Same as 8RL01	

CIRCUIT REFERENCE	DESCRIPTION	IWATSU PART No.	CIRCUIT REFERENCE	DESCRIPTION	IWATSU PART No.
8J01	Connector, 51-024-0000	DCN044141	V/H MAIN AMP	9	
8J02	Same as 8J01		9C01	Cap., 0.01 μ , -20 ~ +80%, 50V, Cer.	DCC133571
8J03	Connector, BNC-BR-226	DCN040581	9C02	Same as 9C01	
8P01	Connector, 051-053-0000	DCN044181	9C03	Same as 9C01	
8AD01	Connector, 51-075-6801	DCN044191	9C04	Same as 9C01	
8PB01	Printed Circuit Board, TRIGGER CIRCUIT	KPN130131	9C05	Cap., 68p., \pm 10%, 50V, Cer.	DCC233601
			9C06	Cap., 10 μ , -0 ~ +100%, 25V, Elect. Tan.	DCS461301
			9C07	Same as 9C01	
			9C08	Same as 9C06	
			9C09	Same as 9C01	
			9C10	Same as 9C01	
			9C11	Same as 9C01	
			9C12	Same as 9C01	
			9C13	Same as 9C01	
			9C14	Same as 9C01	
			9C15	Same as 9C01	
			9C16	Same as 9C01	
			9C17	Same as 9C01	
			9C18	Same as 9C01	
			9C19	Same as 9C05	
			9C20	Same as 9C06	
			9C21	Same as 9C06	
			9C22	Same as 9C01	
			9C23	Same as 9C01	
			9C24	Same as 9C01	
			9C25	Cap., 1.5p, Var., 500V, Cer.	DCV023121
			9C26	Cap., 0.01 μ , \pm 10%, 200V, Film	DCF252231
			9C27	Cap., 0.1 μ , \pm 10%, 250V, Film	DCF161351
			9C28	Same as 9C01	
			9C29	Same as 9C25	
			9C30	Same as 9C26	
			9C31	Same as 9C27	
			9C32	Same as 9C01	
			9C33	Same as 9C01	
			9C34	Same as 9C01	
			9C35	Same as 9C01	
			9C36	Same as 9C01	
			9C37	Same as 9C01	
			9C38	Same as 9C01	

CIRCUIT REFERENCE	DESCRIPTION	IWATSU PART No.	CIRCUIT REFERENCE	DESCRIPTION	IWATSU PART No.
9C39	Cap., 22 μ , -10 ~ +150%, 25V, Elect.	DCE122551	9R23	Res., 2.4k, \pm 2%, 1/4W, Metal	DRE133821
9C40	Same as 9C39		9R24	Res., 910, \pm 2%, 1/4W, Metal	DRE133721
9C41	Cap., 47 μ , -10 ~ +150%, 10V, Elect.	DCE112651	9R25	Same as 9R24	
9C42	Same as 9C39		9R26	Same as 9R10	
9C43	Same as 9C39		9R27	Same as 9R10	
9C44	Cap., 10 μ , -10 ~ +150%, 160V, Elect.	DCE160501	9R28	Res., 150, \pm 2%, 1/4W, Metal	DRE133531
9C45	Cap., 10 μ , -10 ~ +150%, 100V, Elect.	DCE152501	9R29	Same as 9R28	
9C46	Same as 9C26		9R30	Res., 220, \pm 2%, 1/4W, Metal	DRE133571
9C47	Same as 9C26		9R31	Same as 9R07	
9C48	Same as 9C01		9R32	Res., 22k, \pm 2%, 1/4W, Metal	DRE134051
9C49	Same as 9C01		9R33	Same as 9R20	
9C50	Same as 9C01		9R34	Same as 9R20	
9C51	Same as 9C01		9R35	Same as 9R20	
9C52	Same as 9C01		9R36	Same as 9R07	
9C99	Cap., 330p, \pm 10%, 50V, Cer.	DCC131001	9R37	Res., 1k, \pm 2%, 1/2W, Metal	DRE143731
9R02	Res., 10k, Var., 0.5W, Cermet	DRV410201	9R38	Same as 9R37	
9R03	Res., 51, \pm 2%, 1/4W, Metal	DRE130521	9R39	Same as 9R05	
9R04	Same as 9R03		9R40	Same as 9R05	
9R05	Res., 10k, \pm 2%, 1/4W, Metal	DRE133971	9R41	Same as 9R12	
9R06	Same as 9R05		9R42	Same as 9R05	
9R07	Res., 1k, \pm 1%, 1/4W, Metal	DRE130831	9R43	Same as 9R20	
9R08	Same as 9R07		9R44	Res., 3.3k, \pm 2%, 1/4W, Metal	DRE133851
9R09	Same as 9R07		9R45	Res., 2k, \pm 2%, 1/4W, Metal	DRE133801
9R10	Res., 22, \pm 2%, 1/4W, Metal	DRE133331	9R46	Same as 9R45	
9R11	Same as 9R10		9R47	Same as 9R20	
9R12	Res., 4.7k, \pm 2%, 1/4W, Metal	DRE133891	9R49	Same as 9R19	
9R13	Same as 9R12		9R50	Res., 0, (RD25S 0 Ω)	DRE134001
9R14	Res., 560, \pm 2%, 1/4W, Metal	DRE133671	9R51	Res., 20k, \pm 1%, 1/4W, Metal	DRE131141
9R15	Same as 9R14		9R52	Res., 24k, \pm 1%, 1/4W, Metal	DRE131161
9R16	Res., 680, \pm 2%, 1/4W, Metal	DRE133691	9R53	Res., 100k, \pm 1%, 1/4W, Metal	DRE131311
9R17	Same as 9R12		9R54	Res., 33k, \pm 1%, 1/4W, Metal	DRE131191
9R18	Same as 9R12		9R55	Same as 9R07	
9R19	Res., 1k, Var., 0.5W, Cermet	DRV410171	9R56	Same as 9R03	
9R20	Res., 100, \pm 1%, 1/4W, Metal	DRE130591	9R57	Same as 9R03	
9R21	Same as 9R20		9R58	Same as 9R07	
9R22	Same as 9R12		9R59	Same as 9R07	
			9R60	Same as 9R07	
			9R61	Same as 9R10	
			9R62	Same as 9R10	
			9R63	Same as 9R12	
			9R64	Same as 9R12	
			9R65	Res., 510, \pm 2%, 1/4W, Metal	DRE133661

CIRCUIT REFERENCE	DESCRIPTION	IWATSU PART No.	CIRCUIT REFERENCE	DESCRIPTION	IWATSU PART No.
9R66	Same as 9R65		9R108	Same as 9R05	
9R67	Same as 9R24		9R109	Same as 9R05	
9R68	Same as 9R07		9R110	Same as 9R05	
9R69	Same as 9R07		9R111	Same as 9R107	
9R70	Same as 9R10		9R112	Same as 9R106	
9R71	Same as 9R10		9R113	Same as 9R05	
9R72	Same as 9R07		9R114	Same as 9R05	
9R73	Same as 9R07		9R115	Res., 2.2, $\pm 10\%$, $\frac{1}{4}W$, Compo.	DRC130111
9R74	Same as 9R65		9R116	Same as 9R115	
9R75	Same as 9R44				
9R76	Res., B2k, Var., 0.5W, Cermet	DRV410181	9Q01	Transistor, FT1125	DTR190321
9R77	Same as 9R05		9Q02	Same as 9Q01	
9R78	Res., 30k, $\pm 2\%$, $\frac{1}{4}W$, Metal	DRE134081	9Q03	Same as 9Q01	
9R79	Same as 9R20		9Q04	Same as 9Q01	
9R80	Same as 9R32		9Q05	Same as 9Q01	
9R81	Res., 2.7k, $\pm 2\%$, $\frac{1}{4}W$, Metal	DRE133831	9Q06	Same as 9Q01	
9R82	Same as 9R81		9Q07	Transistor, 2SC1412	DTR130901
9R83	Res., 330, $\pm 2\%$, $\frac{1}{4}W$, Metal	DRE133611	9Q08	Same as 9Q07	
9R84	Res., 1.6k, $\pm 2\%$, $\frac{1}{4}W$, Metal	DRE133781	9Q09	Transistor, 2SC1216F	DTR130801
9R85	Res., 62k, $\pm 2\%$, $\frac{1}{2}W$, Metal	DRE144161	9Q10	Same as 9Q09	
9R86	Res., 10k, Var., 0.5W, Cermet	DRV410201	9Q11	Same as 9Q01	
9R87	Res., 15k, $\pm 2\%$, $\frac{1}{2}W$, Metal	DRE144011	9Q12	Same as 9Q01	
9R88	Same as 9R10		9Q13	Transistor, 2N3905	DTR150011
9R89	Res., 8.2k, $\pm 2\%$, $\frac{1}{4}W$, Metal	DRE133951	9Q14	Same as 9Q13	
9R90	Same as 9R45		9Q15	Transistor, 2SA1015-Y	DTR116111
9R91	Res., 27k, $\pm 2\%$, $\frac{1}{2}W$, Metal	DRE144071	9Q16	Same as 9Q13	
9R92	Same as 9R83		9Q17	Same as 9Q13	
9R93	Same as 9R84		9Q18	Transistor, 2SA712	DTR110571
9R94	Same as 9R85		9Q19	Transistor, 2SC1217	DTR130811
9R95	Res., 10k, $\pm 2\%$, $\frac{1}{2}W$, Metal	DRE143971	9Q20	Same as 9Q18	
9R96	Same as 9R95		9Q21	Same as 9Q19	
9R97	Same as 9R10				
9R98	Same as 9R89				
9R99	Same as 9R45				
9R100	Same as 9R91		9IC01	IC, SN74LS 04N	DIC140051
9R101	Same as 9R12		9IC02	IC, HI1-201HS-5	DIC632621
9R102	Res., 15k, $\pm 2\%$, $\frac{1}{4}W$, Metal	DRE134011	9IC03	IC, LF356H	DIC613581
9R103	Same as 9R05		9IC04	Same as 9IC03	
9R104	Same as 9R05		9IC05	IC, HI3-201-5	DIC632551
9R105	Same as 9R05		9IC06	Same as 9IC03	
9R106	Res., B5k, Var., 0.5W, Cermet	DRV410191	9IC07	Same as 9IC03	
9R107	Res., 5.1k, $\pm 2\%$, $\frac{1}{4}W$, Metal	DRE133901	9IC08	Same as 9IC02	

CIRCUIT REFERENCE	DESCRIPTION	IWATSU PART No.	CIRCUIT REFERENCE	DESCRIPTION	IWATSU PART No.
9IC09	Same as 9IC03		Z-AXIS/CRT 10		
9IC10	Same as 9IC03		10C01	Cap., 22 μ , -10 ~ +150%, 100V, Elect.	DCE152551
9IC11	Same as 9IC05		10C02	Cap., 4700 μ , \pm 20%, 3kV, Cer.	DCC172921
9IC12	Same as 9IC03		10C03	Same as 10C02	
9IC13	Same as 9IC03		10C04	Cap., 0.001 μ , -0 ~ +100%, 3kV, Cer.	DCC171831
9S01	Switch, MSP103C	DSW015571	10C05	Cap., 0.01 μ , -20 ~ +80%, 3kV, Cer.	DCC173501
9S02	Switch, SLBP222C	DSW051011	10C06	Cap., 0.1 μ , \pm 10%, 50V, Film	DCF132191
9S03	Same as 9S02		10C07	Cap., 0.01 μ , -20 ~ +80%, 50V, Cer.	DCC133571
9J01	Connector, BNC-BR-226	DCN040581	10C08	Same as 11C07	
9J02	Same as 9J01		10C09	Cap., 18p, \pm 10%, 50V, Cer.	DCC232201
9P01	Side-pin Cap., MT-3S	DSK010121	10C10	Cap., 10 μ , -0 ~ +100%, 25V, Elect. Tan.	DCS461301
9P02	Same as 9P01		10C11	Same as 11C06	
9P03	Same as 9P01		10C12	Same as 11C10	
9P04	Same as 9P01		10C13	Cap., 10 μ , -10 ~ +150%, 100V, Elect.	DCE130501
			10C14	Cap., 220p, \pm 10%, 50V, Cer.	DCC234501
			10C15	Same as 11C07	
			10C16	Same as 11C07	
			10C17	Same as 11C10	
			10C18	Same as 11C10	
			10C19	Same as 11C07	
			10C20	Same as 11C07	
			10C21	Same as 11C07	
			10C22	Cap., 1.5p, Var., 500V, Cer.	DCV023121
			10C23	Cap., 0.01 μ , \pm 10%, 200V, Film	DCF252231
			10C24	Same as 11C23	
			10C25	Cap., 0.01 μ , \pm 10%, 630V, Film	DCF273231
			10C26	Same as 11C23	
			10C27	Same as 11C07	
			10C28	Same as 11C07	
			10C29	Same as 11C07	
			10C30	Same as 11C06	
			10C31	Cap., 0.33 μ , \pm 10%, 100V, Film	DCF158081
			10C32	Same as 11C23	
			10C33	Same as 11C23	

CIRCUIT REFERENCE	DESCRIPTION	IWATSU PART No.	CIRCUIT REFERENCE	DESCRIPTION	IWATSU PART No.
10C34	Cap., 10 μ , -10 ~ +150%, 160V, Elect.	DCE160501	10R22	Res., B20k, Var., 0.5W, Cermet	DRV410211
10C35	Cap., 22 μ , -10 ~ +150%, 100V, Elect.	DCE152551	10R23	Same as 11R13	
10C36	Cap., 22 μ , -10 ~ +150%, 25V, Elect.	DCE122551	10R25	Res., 22k, \pm 2%, 1/4W, Metal	DRE134051
10C37	Same as 11C36		10R26	Res., 2.2k, \pm 2%, 1/4W, Metal	DRE133811
10C38	Cap., 47 μ , -10 ~ +150%, 10V, Elect.	DCE112651	10R27	Res., 13, \pm 2%, 1/4W, Metal	DRE133281
10C39	Same as 11C07		10R28	Same as 11R27	
10C40	Same as 11C07		10R29	Same as 11R27	
10C41	Same as 11C07		10R30	Res., B10k, Var., 0.5W, Cermet	DRV410201
10C42	Same as 11C07		10R31	Same as 11R26	
10C43	Same as 11C07		10R32	Res., 4.7k, \pm 2%, 1/4W, Metal	DRE133891
10C50	Cap., 1.5p, \pm 0.25%, 50V, Cer.	DCC230401	10R33	Same as 11R07	
10L01	Trace Rotation Coil	DCL140291	10R34	Same as 11R07	
10L02	Orthogonality Coil	DCL140241	10R35	Same as 11R07	
10R01	Res., 470, \pm 2%, 1/4W, Metal	DRE133651	10R36	Res., 2.4k, \pm 2%, 1/4W, Metal	DRE133821
10R02	Res., 10k, \pm 2%, 1/4W, Metal	DRE133971	10R37	Res., 10k, \pm 2%, 1/4W, Metal	DRE131071
10R03	Res., 15M, \pm 5%, 2W, Metal	DRG163291	10R38	Same as 11R21	
10R04	Res., B1M, Var., 0.5W, Cermet	DRV430261	10R39	Res., 5.6k, \pm 2%, 1/4W, Metal	DRE133911
10R05	Res., 1M, \pm 2%, 1/2W, Metal	DRE144451	10R40	Res., 3.3k, \pm 2%, 1/4W, Metal	DRE133851
10R06	Res., 30k, \pm 2%, 1/4W, Metal	DRE134081	10R41	Same as 11R40	
10R07	Res., 3.6k, \pm 2%, 1/4W, Metal	DRE133861	10R42	Res., 4.3k, \pm 2%, 1/4W, Metal	DRE133881
10R08	Res., 1k, \pm 1%, 1/4W, Metal	DRE133731	10R43	Res., 100, \pm 2%, 1/4W, Metal	DRE133491
10R09	Same as 11R08		10R44	Same as 11R36	
10R10	Res., 100k, \pm 2%, 1/4W, Metal	DRE134211	10R45	Same as 11R36	
10R11	Res., 200k, \pm 2%, 1/4W, Metal	DRE134281	10R46	Res., 1.6k, \pm 2%, 1/4W, Metal	DRE133781
10R12	Res., 36k, \pm 2%, 1/4W, Metal	DRE134101	10R47	Same as 11R36	
10R13	Res., 5.1k, \pm 2%, 1/4W, Metal	DRE133901	10R48	Res., 3.9k, \pm 2%, 1/4W, Metal	DRE133871
10R14	Res., 82k, \pm 2%, 1/4W, Metal	DRE134191	10R49	Res., 560, \pm 2%, 1/2W, Metal	DRE143671
10R15	Res., 16k, \pm 2%, 1/4W, Metal	DRE134021	10R50	Res., 910, \pm 2%, 1/4W, Metal	DRE133721
10R16	Res., B100k, Var., 0.5W, Cermet	DRV410231	10R51	Same as 11R42	
10R17	Res., 270k, \pm 2%, 1/4W, Metal	DRE134311	10R52	Res., B500, Var., 0.5W, Cermet	DRV410161
10R18	Same as 11R07		10R53	Res., 7.5k, \pm 1%, 1/4W, Metal	DRE131041
10R19	Res., B1k, Var., 0.5W, Cermet	DRV410171	10R54	Same as 11R08	
10R20	Same as 11R07		10R55	Same as 11R53	
10R21	Res., 30k, \pm 2%, 1/4W, Metal	DRE134081	10R56	Res., 10, \pm 2%, 1/4W, Metal	DRE133251
			10R57	Same as 11R48	
			10R58	Res., 470, \pm 2%, 1/4W, Metal	DRE133651
			10R59	Same as 11R08	
			10R60	Res., 8.2k, \pm 2%, 1/2W, Metal	DRE143951
			10R61	Same as 11R60	
			10R62	Same as 11R25	
			10R63	Same as 11R26	
			10R64	Res., 430, \pm 2%, 1/4W, Metal	DRE133641

CIRCUIT REFERENCE	DESCRIPTION	IWATSU PART No.	CIRCUIT REFERENCE	DESCRIPTION	IWATSU PART No.
10R65	Res., 12k, $\pm 2\%$, $\frac{1}{4}W$, Metal	DRE133991	10D05	Same as 10D04	
10R66	Res., 200, $\pm 2\%$, $\frac{1}{4}W$, Metal	DRE133561	10D06	Same as 10D04	
10R67	Res., 620, $\pm 2\%$, $\frac{1}{4}W$, Metal	DRE133681	10D07	Same as 10D04	
10R68	Res., 2k, $\pm 2\%$, $\frac{1}{4}W$, Metal	DRE133801	10D08	Same as 10D04	
10R69	Res., 3.9k, $\pm 2\%$, $\frac{1}{4}W$, Metal	DRE133871	10D09	Same as 10D04	
10R70	Same as 11R21		10D10	Same as 10D04	
10R71	Res., 1M, $\pm 2\%$, $\frac{1}{2}W$, Metal	DRE144451	10D11	Same as 10D04	
10R72	Same as 11R71		10D12	Same as 10D04	
10R73	Res., 9.1k, $\pm 2\%$, $\frac{1}{4}W$, Metal	DRE133961	10D13	Same as 10D04	
10R74	Res., B200k, Var., 0.5W, Cermet	DRV410241	10D14	Same as 10D04	
10R75	Same as 11R74		10D15	Diode, V03C	DDD020011
10R76	Res., 20k, $\pm 2\%$, $\frac{1}{4}W$, Metal	DRE134041	10D16	Diode, RD10EB	DDD030681
10R77	Res., 130k, $\pm 2\%$, $\frac{1}{4}W$, Metal	DRE134241	10D17	Diode, RD51EB	DDD034391
10R78	Same as 11R66		10D18	Same as 10D04	
10R79	Same as 11R11				
10R80	Res., 27k, $\pm 2\%$, $\frac{1}{4}W$, Metal	DRE134071	10Q01	Transistor, 2SC1669-0	DTR130951
10R81	Res., 39k, $\pm 2\%$, $\frac{1}{4}W$, Metal	DRE134111	10Q02	Transistor, 2SC1815GR	DTR137781
10R82	Res., 91k, $\pm 2\%$, $\frac{1}{4}W$, Metal	DRE134201	10Q03	Transistor, 2SC1216F	DTR130801
10R83	Res., B2k, Var., 0.5W, Cermet	DRV430181	10Q04	Same as 10Q03	
10R84	Res., B50k, Var., 0.5W, Cermet	DRV410221	10Q05	Transistor array, FT5712M	DTR190121
10R85	Res., 300, $\pm 2\%$, $\frac{1}{4}W$, Metal	DRE133601	10Q06	Transistor array, FT5714M	DTR190041
10R86	Res., 6.2k, $\pm 2\%$, $\frac{1}{2}W$, Metal	DRE143921	10Q07	Transistor, 2N3905	DTR150011
10R87	Same as 11R16		10Q08	Same as 10Q02	
10R88	Same as 11R50		10Q09	Transistor, 2SA712	DTR110571
10R79	Same as 11R14		10Q10	Transistor, 2SC995	DTR130561
10R90	Same as 11R80		10Q11	Same as 10Q02	
10R91	Res., 180, $\pm 2\%$, $\frac{1}{2}W$, Metal	DRE143551	10R12	Transistor, 2SA 845A (H)	DTR115741
10R92	Res., 100k, $\pm 2\%$, $\frac{1}{4}W$, Metal	DRE134211	10Q13	Transistor, 2SC1706H	DTR130981
10R93	Res., B2k, Var., 0.125W, Carbon	DRV147261	10Q14	Same as 10Q02	
10R94	Res., B100k, Var., 0.125W, Carbon	DRV147251			
10R95a	Res., B10k, Var., 0.125W, Carbon	DRV146571	10IC01	IC, μ PC251C	DIC610091
10R95b	Same as 10R95a		10IC02	IC, 74LS123N	DIC141181
10R96	Res., B10k, Var., 0.125W, Carbon	DRV140401	10IC03	IC, 74LS32N	DIC140331
			10IC04	IC, 74LS00N	DIC140011
			10IC05	IC, μ PC 14305	DIC650021
10D01	Diode, 1S953	DDD010051	10J01	Connector, M36M87-06	DCN034641
10D02	Same as 10D01		10J02	Same as 10J01	
10D03	Same as 10D01		10J03	Connector, M31M87-07	DCN034501
10D04	Diode, 1S953	DDD010051			

CIRCUIT REFERENCE	DESCRIPTION	IWATSU PART No.	CIRCUIT REFERENCE	DESCRIPTION	IWATSU PART No.
10J04	Connector, M31 M87-10	DCN034531	STRETCHER 11		
10J05	Same as 10J04		11C01	Cap., 0.01 μ , -20 ~ +80%, 50V, Cer.	DCC133571
10J06	Same as 10J04		11C02	Same as 11C01	
10J07	Connector, M36 M87-04	DCN034621	11C03	Cap., 10 μ , \pm 20%, 25V, Elect. Tan.	DCS461301
10J08	Socket, CRT, S0-K2 (A)	DSK010181	11C04	Same as 11C03	
10J09	Connector, BNC-BR-226	DCN040581	11C05	Same as 11C01	
10P01	Connector, M36-06-30-134P	DCN034941	11C07	Cap., 18p, \pm 10%, 50V, Cer.	DCC232201
10P02	Same as 10P01		11C08	Cap., 2200p, \pm 10%, 50V, Film	DCF120151
10P03	Connector, M33-07-30-134P	DCN034791	11C09	Same as 11C03	
10P04	Connector, M33-10-30-134P	DCN034821	11C10	Same as 11C03	
10P05	Same as 10P04		11C11	Same as 11C01	
10P06	Same as 10P04		11C12	Same as 11C01	
10P07	Connector, M36-04-30-134P	DCN034921	11C13	Same as 11C01	
10P09	Cap., side-pin, MT-3S	DSK010121	11C14	Same as 11C01	
10F01	Fuse, slow-blow, FSA-0.5	DFU020131	11C15	Same as 11C03	
10V01	CRT, S-0312B31	DEC015981	11C16	Same as 11C01	
10U01	High-voltage generator unit, HVU-4CA2001	DES050181	11C17	Same as 11C01	
			11C18	Same as 11C01	
			11C19	Same as 11C03	
			11C20	Cap., 220p, \pm 10%, 50V, Cer.	DCC234501
			11C21	Same as 11C01	
			11C22	Cap., 1000p, \pm 10%, 50V, Cer.	DCC131801
			11C23	Same as 11C01	
			11C24	Same as 11C22	
			11C25	Same as 11C03	
			11C26	Same as 11C03	
			11C27	Same as 11C20	
			11C29	Same as 11C01	
			11C30	Same as 11C03	
			11C31	Same as 11C01	
			11C32	Same as 11C03	
			11C33	Same as 11C01	
			11C34	Same as 11C07	
			11C35	Same as 11C08	
			11C36	Same as 11C03	
			11C37	Same as 11C03	
			11C38	Same as 11C01	
			11C39	Same as 11C01	
			11C40	Same as 11C01	

CIRCUIT REFERENCE	DESCRIPTION	IWATSU PART No.	CIRCUIT REFERENCE	DESCRIPTION	IWATSU PART No.
11C41	Same as 11C01		11R21	Same as 11R02	
11C42	Same as 11C03		11R22	Res., B5k, Var., 0.5W, Carbon	DRV231071
11C43	Same as 11C01		11R23	Same as 11R09	
11C44	Same as 11C01		11R24	Same as 11R05	
11C45	Same as 11C03		11R25	Same as 11R06	
11C46	Same as 11C01		11R26	Res., 10k, $\pm 2\%$, $\frac{1}{4}W$, Metal	DRE133971
11C47	Cap., 22μ , $-10 \sim +150\%$, 25V, Elect. Tan.	DCE122551	11R27	Res., 360, $\pm 1\%$, $\frac{1}{4}W$, Metal	DRE130721
11C48	Same as 11C47		11R28	Res., B1k, Var., 0.5W, Carbon	DRV231061
11C49	Same as 11C01		11R29	Res., 3.3k, $\pm 2\%$, $\frac{1}{4}W$, Metal	DRE133851
11C50	Same as 11C03		11R30	Res., 620, $\pm 2\%$, $\frac{1}{4}W$, Metal	DRE133681
11C51	Same as 11C01		11R31	Res., 330, $\pm 2\%$, $\frac{1}{4}W$, Metal	DRE133611
11C53	Same as 11C01		11R32	Res., 9.1k, $\pm 2\%$, $\frac{1}{4}W$, Metal	DRE133961
11C54	Same as 11C03		11R33	Res., 30k, $\pm 2\%$, $\frac{1}{4}W$, Metal	DRE134081
11C55	Same as 11C03		11R34	Res., 22, $\pm 2\%$, $\frac{1}{4}W$, Metal	DRE133331
11C56	Cap., 0.01μ , $\pm 10\%$, 50V, Film	DCF252231	11R35	Res., 300, $\pm 2\%$, $\frac{1}{4}W$, Metal	DRE133601
11C57	Cap., 47μ , $-10 \sim +150\%$, 10V, Elect. Tan.	DCE112651	11R36	Same as 11R35	
11C58	Same as 11C01		11R37	Res., 2k, $\pm 2\%$, $\frac{1}{4}W$, Metal	DRE133801
11C59	Same as 11C03		11R38	Same as 11R37	
11R01	Res., 430, $\pm 2\%$, $\frac{1}{4}W$, Metal	DRE133641	11R39	Same as 11R12	
11R02	Res., 1k, $\pm 2\%$, $\frac{1}{4}W$, Metal	DRE133731	11R40	Same as 11R12	
11R03	Res., 51k, $\pm 2\%$, $\frac{1}{4}W$, Metal	DRE134141	11R41	Res., 510, $\pm 2\%$, $\frac{1}{4}W$, Metal	DRE133661
11R04	Res., B20k, Var., 0.5W, Carbon	DRV231081	11R42	Same as 11R41	
11R05	Res., 2.4k, $\pm 2\%$, $\frac{1}{4}W$, Metal	DRE133821	11R43	Same as 11R02	
11R06	Res., B5k, Var., 0.5W, Cermet	DRV410191	11R44	Same as 11R02	
11R07	Res., 200k, $\pm 2\%$, $\frac{1}{4}W$, Metal	DRE134281	11R45	Same as 11R17	
11R08	Same as 11R03		11R46	Same as 11R16	
11R09	Res., 5.6k, $\pm 2\%$, $\frac{1}{4}W$, Metal	DRE133911	11R47	Same as 11R15	
11R10	Res., 47k, $\pm 2\%$, $\frac{1}{4}W$, Metal	DRE134131	11R48	Same as 11R10	
11R11	Res., 5.1k, $\pm 2\%$, $\frac{1}{4}W$, Metal	DRE133901	11R49	Same as 11R11	
11R12	Res., 100, $\pm 2\%$, $\frac{1}{4}W$, Metal	DRE133491	11R50	Same as 11R39	
11R13	Res., B10k, Var., 0.5W, Cermet	DRV410201	11R51	Same as 11R13	
11R14	Res., 6.2k, $\pm 2\%$, $\frac{1}{4}W$, Metal	DRE133921	11R52	Same as 11R01	
11R15	Res., 15k, $\pm 2\%$, $\frac{1}{4}W$, Metal	DRE134011	11R53	Same as 11R02	
11R16	Res., 150, $\pm 2\%$, $\frac{1}{4}W$, Metal	DRE133531	11R54	Same as 11R03	
11R17	Res., B1k, Var., 0.5W, Cermet	DRV410171	11R55	Same as 11R04	
11R18	Res., 100k, $\pm 2\%$, $\frac{1}{4}W$, Metal	DRE134211	11R56	Same as 11R05	
11R19	Same as 11R18		11R57	Same as 11R06	
11R20	Same as 11R02		11R58	Same as 11R07	
			11R59	Same as 11R03	
			11R60	Same as 11R09	
			11R61	Same as 11R14	
			11R62	Same as 11R18	

CIRCUIT REFERENCE	DESCRIPTION	IWATSU PART No.	CIRCUIT REFERENCE	DESCRIPTION	IWATSU PART No.
11R63	Same as 11R18		11D03	Same as 11D01	
11R64	Same as 11R22		11D04	Diode, RD11EB	DDD030401
11R65	Same as 11R09		11D05	Same as 11D04	
11R66	Same as 11R05		11D06	Diode, 1S2192	DDD031841
11R67	Same as 11R06				
11R68	Same as 11R26				
11R69	Same as 11R27		11Q01	Transistor, 2SC1815GR	DTR137781
11R70	Same as 11R28		11Q02	Transistor, 2N4392	DTR255011
11R71	Same as 11R29		11Q03	Transistor, 2SA1015-Y	DTR116111
11R72	Same as 11R30		11Q04	Same as 11Q01	
11R73	Same as 11R31		11Q05	Same as 11Q01	
11R74	Same as 11R32		11Q06	Same as 11Q03	
11R75	Same as 11R33		11Q07	Same as 11Q01	
11R76	Same as 11R34		11Q08	Same as 11Q02	
11R77	Same as 11R33		11Q09	Transistor, IT-503	DTR295251
11R78	Same as 11R33		11Q10	Same as 11Q09	
11R79	Same as 11R33		11Q11	Same as 11Q01	
11R80	Same as 11R17		11Q12	Transistor, 2SD560	DTR140231
11R81	Same as 11R33		11Q13	Transistor, 2SK30A-Y	DTR210141
11R82	Same as 11R15		11Q14	Same as 11Q03	
11R83	Same as 11R11		11Q15	Transistor, 2SB674	DTR125971
11R84	Same as 11R17		11Q16	Same as 11Q13	
11R85	Res., 2.2k, $\pm 2\%$, $\frac{1}{4}W$, Metal	DRE133811	11Q99	Same as 11Q02	
11R86	Res., 680, $\pm 2\%$, $\frac{1}{4}W$, Metal	DRE133691			
11R87	Res., 1, $\pm 5\%$, 2W, w.w.	DRX110231			
11R88	Same as 11R02		11IC01	IC, LF356H	DIC613581
11R89	Res., 7.5k, $\pm 2\%$, $\frac{1}{4}W$, Metal	DRE133941	11IC02	Same as 11IC01	
11R90	Same as 11R89		11IC03	Same as 11IC01	
11R91	Same as 11R02		11IC04	IC, LF357N	DIC613601
11R92	Same as 11R87		11IC05	IC, SN7406N	DIC110071
11R93	Res., B10k, Var., 1.5W, w.w.	DRV730121	11IC06	Same as 11IC01	
11R94	Same as 11R93		11IC07	Same as 11IC01	
11R95	Res., 11k, $\pm 2\%$, $\frac{1}{4}W$, Metal	DRE133981	11IC08	Same as 11IC01	
11R96	Same as 11R95		11IC09	Same as 11IC04	
11R97	Res., B200, Var., 0.5W, Cermet	DRV410151	11IC10	IC, μ PC258C	DIC613571
11R98	Same as 11R97				
11R99	Same as 11R06				
11R100	Same as 11R06		11J01	Connector, M31 M87-10	DCN034531
			11J02	Same as 11J01	
11D01	Diode, 1S953	DDD010051	11J03	Connector, M31 M87-12	DCN034541
11D02	Same as 11D01		11J04	Connector, 128-12-10-281S	DCN032121
			11J05	Connector, EA303JR	DCN045011

CIRCUIT REFERENCE	DESCRIPTION	IWATSU PART No.	CIRCUIT REFERENCE	DESCRIPTION	IWATSU PART No.
11J06	Same as 11J05		KEYB	<u>12</u>	
11J08	Connector, 115D3RF-X	DCN013271	12S01	Switch, MD7L	DSW015551
11J09	Same as 11J08		12S02	Switch, MD4P	DSW015531
11P01	Connector, M33-10-30-134P	DCN034821	12S03	Same as 12S02	
11P02	Same as 11P01		12S04	Same as 12S02	
11P03	Connector, M33-12-30-134P	DCN034831	12S05	Same as 12S02	
11P04	Connector, 129-12-10-281P	DCN032111	12S06	Same as 12S01	
11TL01	Terminal, FT-E-12 (011-6808)	DTA010631	12S07	Same as 12S02	
11TL02	Same as 11TL02		12S08	Same as 12S02	
			12S09	Same as 12S02	
			12S10	Same as 12S02	
			12S11	Same as 12S01	
			12S12	Same as 12S02	
			12S13	Same as 12S02	
			12S14	Same as 12S02	
			12S15	Same as 12S02	
			12S16	Same as 12S01	
			12S17	Same as 12S02	
			12S18	Same as 12S02	
			12S19	Same as 12S02	
			12S20	Same as 12S02	
			12S21	Same as 12S01	
			12S22	Same as 12S02	
			12S23	Same as 12S02	
			12S24	Same as 12S02	
			12S25	Same as 12S02	
			12S26	Same as 12S01	
			12S27	Same as 12S02	
			12S28	Same as 12S02	
			12S29	Same as 12S02	
			12S30	Same as 12S02	
			12S31	Same as 12S01	
			12S32	Same as 12C02	
			12C33	Same as 12C02	
			12C34	Same as 12C02	
			12C35	Same as 12C02	
			12C36	Same as 12C01	
			12C37	Same as 12C02	
			12C38	Same as 12C02	
			12C39	Same as 12C02	
			12C40	Same as 12C02	

CIRCUIT REFERENCE	DESCRIPTION	IWATSU PART No.	CIRCUIT REFERENCE	DESCRIPTION	IWATSU PART No.
12P05	Connector	KHB041511	LEDP	13	
12P06	Same as 12P05				
			13D01	Diode, GL-2PR1	
			13D02	Same as 13D01	
			13D03	Same as 13D01	
			13D04	Same as 13D01	
			13D05	Same as 13D01	
			13D06	Same as 13D01	
			13D07	Same as 13D01	

CIRCUIT REFERENCE	DESCRIPTION	IWATSU PART No.	CIRCUIT REFERENCE	DESCRIPTION	IWATSU PART No.
CALIBRATER 14			14D03	Same as 14D01	
14C01	Cap., 0.01 μ , -20 ~ +80%, 50V, Cer.	DCC133571	14D04	Same as 14D01	
14C02	Same as 14C01		14Q01	Transistor, 2SA1015Y	DTR116111
14C03	Same as 14C01		14Q02	Transistor, 2SA711	DTR110551
14C04	Same as 14C01		14Q03	Same as 14Q02	
14C05	Same as 14C01		14IC01	IC, SN74LS 107AN	DIC141061
14C06	Cap., 47 μ , -10 ~ +150%, 10V, Elect.	DCE112651	14IC02	IC, SN7407N	DIC110081
14C07	Cap., 33 μ , -10 ~ +150%, 25V, Elect.	DCE122601	14S01	Switch, DIP-A8S	DSW105051
14R01	Res., 1.5k, \pm 2%, $\frac{1}{4}$ W, Metal	DRE133771	14S02	Switch, SLBP 223C	DSW052001
14R02	Res., 1.1k, \pm 2%, $\frac{1}{4}$ W, Metal	DRE133741	14RL01	Read Relay, NR-S-5V	DKD066021
14R03	Res., 130, \pm 2%, $\frac{1}{4}$ W, Metal	DRE133521	14RL02	Same as 14RL01	
14R04	Res., 1k, \pm 2%, $\frac{1}{4}$ W, Metal	DRE133731	14RL03	Same as 14RL01	
14R05	Res., B1k, Var., 0.5W, Metal	DRV410171	14J01	Connector, BNC-BR-226	DCN040581
14R06	Res., 3.3k, \pm 2%, $\frac{1}{4}$ W, Metal	DRE133851	14J02	Same as 14J01	
14R07	Same as 14R06		14J03	Same as 14J01	
14R08	Res., 4.7k, \pm 2%, $\frac{1}{4}$ W, Metal	DRE133891			
14R09	Same as 14R01				
14R10	Res., 61.1, \pm 0.5%, $\frac{1}{4}$ W, Metal	DRE234311			
14R11	Res., 247, \pm 0.5%, $\frac{1}{4}$ W, Metal	DRE234341			
14R12	Res., 68.8, \pm 0.5%, $\frac{1}{4}$ W, Metal	DRE234321			
14R13	Res., 493, \pm 0.5%, $\frac{1}{4}$ W, Metal	DRE234361			
14R14	Res., 54.9, \pm 0.5%, $\frac{1}{4}$ W, Metal	DRE234301			
14R15	Same as 14R06				
14R16	Res., 51, \pm 2%, $\frac{1}{4}$ W, Metal	DRE133421			
14R17	Res., 50, \pm 0.5%, $\frac{1}{4}$ W, Metal	DRE234291			
14R18	Res., 56, \pm 5%, $\frac{1}{4}$ W, Carbon	DRD237531			
14R19	Same as 14R18				
14RA01	Resister array, 10k, \pm 10%, $\frac{1}{4}$ W, Carbon	DFB011311			
14RA02	Same as 14RA01				
14D01	Diode, 1S953	DDD010051			
14D02	Same as 14D01				

CIRCUIT REFERENCE	DESCRIPTION	IWATSU PART No.	CIRCUIT REFERENCE	DESCRIPTION	IWATSU PART No.
POWER SUPPLY 15			15R03	Res., 5.1k, $\pm 2\%$, $\frac{1}{4}W$, Metal	DRE133901
15C01	Cap., 10,000 μ , $-10 \sim +50\%$, 25V, Elect.	DCE925581	15R04	Same as 15R03	
15C02	Same as 15C01		15R05	Same as 15R03	
15C03	Cap., 0.1 μ , $\pm 10\%$, 50V, Film	DCF120351	15R06	Res., 560, $\pm 5\%$, 2W, w.w.	DRX110561
15C04	Cap., 0.1 μ , $\pm 10\%$, 50V, Film	DCF120351	15R07	Res., 1.5, $\pm 5\%$, 2W, w.w.	DRX110251
15C05	Cap., 6800 μ , $-10 \sim +50\%$, 35V, Elect.	DCE930071	15R08	Res., 43k, $\pm 2\%$, $\frac{1}{4}W$, Metal	DRE134121
15C06	Cap., 0.33 μ , $\pm 10\%$, 250V, Film	DCF161411	15R09	Res., 1k, $\pm 2\%$, $\frac{1}{4}W$, Metal	DRE133731
15C07	Same as 15C04		15R10	Res., B5k, Var., 0.5W, Cermet	DRV410191
15C08	Cap., 10 μ , $-10 \sim +150\%$, Elect.	DCE130501	15R11	Res., 56k, $\pm 2\%$, $\frac{1}{4}W$, Metal	DRE134151
15C09	Same as 15C05		15R12	Res., 3k, $\pm 2\%$, $\frac{1}{4}W$, Metal	DRE133841
15C10	Same as 15C06		15R13	Same as 15R12	
15C11	Same as 15C04		15R14	Res., 8.2, $\pm 5\%$, 2W, w.w.	DRX110341
15C12	Same as 15C08		15R15	Res., 51k, $\pm 2\%$, $\frac{1}{4}W$, Metal	DRE134141
15C13	Cap., 680 μ , $-10 \sim +50\%$, 160V, Elect.	DCE960081	15R16	Res., 10k, $\pm 2\%$, $\frac{1}{4}W$, Metal	DRE133971
15C14	Cap., 1 μ , $-10 \sim +150\%$, 100V, Elect.	DCE152251	15R17	Same as 15R15	
15C15	Cap., 0.001 μ , $-20 \sim +80\%$, 50V, Cer.	DCC131911	15R18	Same as 15R03	
15C16	Cap., 22 μ , $-10 \sim +150\%$, 100V, Elect.	DCE152551	15R19	Res., 8.2k, $\pm 2\%$, $\frac{1}{2}W$, Metal	DRE143951
15C17	Cap., 10 μ , $-10 \sim +150\%$, 160V, Elect.	DCE160501	15R20	Res., 75k, $\pm 2\%$, $\frac{1}{4}W$, Metal	DRE134181
15C18	Same as 15C13		15R21	Same as 15R10	
15C19	Cap., 0.01 μ , $-20 \sim +80\%$, 50V, Cer.	DCC133571	15R22	Same as 15R08	
15C20	Cap., 1000 μ , $-10 \sim +50\%$, 63V, Elect.	DCE950051	15R23	Res., 3.9, $\pm 5\%$, 2W, w.w.	DRX110301
15C21	Same as 15C19		15R24	Same as 15R23	
15C22	Same as 15C19		15R25	Res., 12k, $\pm 2\%$, $\frac{1}{4}W$, Metal	DRE133991
15C23	Same as 15C14		15R26	Res., 8.2k, $\pm 1\%$, $\frac{1}{4}W$, Metal	DRE131051
15C24	Cap., 1 μ , $-10 \sim +150\%$, 50V, Elect.	DCE140251	15R27	Res., 15k, $\pm 2\%$, $\frac{1}{4}W$, Metal	DRE134011
15C25	Same as 15C08		15R28a	Res., B10k, Var., 0.125W, Carbon	DRV146571
15C26	Same as 15C24		15R28b	Same as 15R28a	
15C27	Same as 15C24		15R29	Same as 15R15	
15C40	Cap., 0.1 μ , $\pm 10\%$, 630V, Film	DCF271351	15R30	Res., 100, $\pm 2\%$, $\frac{1}{4}W$, Metal	DRE133491
			15R31	Same as 15R30	
			15R32	Res., 100, $\pm 2\%$, 10W, Carbon	DRD350591
			15D01	Diode, S15VB10	DDD023361
			15D02	Diode, S4VB10	DDD023311
			15D03	Diode, S2VB20	DDD022811
			15D04	Same as 15D03	
			15D05	Diode, S2VB10	DDD022831
			15D06	Diode, RD12FB	DDD030751
			15D07	Diode, RD33EB	DDD033561
			15D08	Diode, RD8.2EB	DDD032971

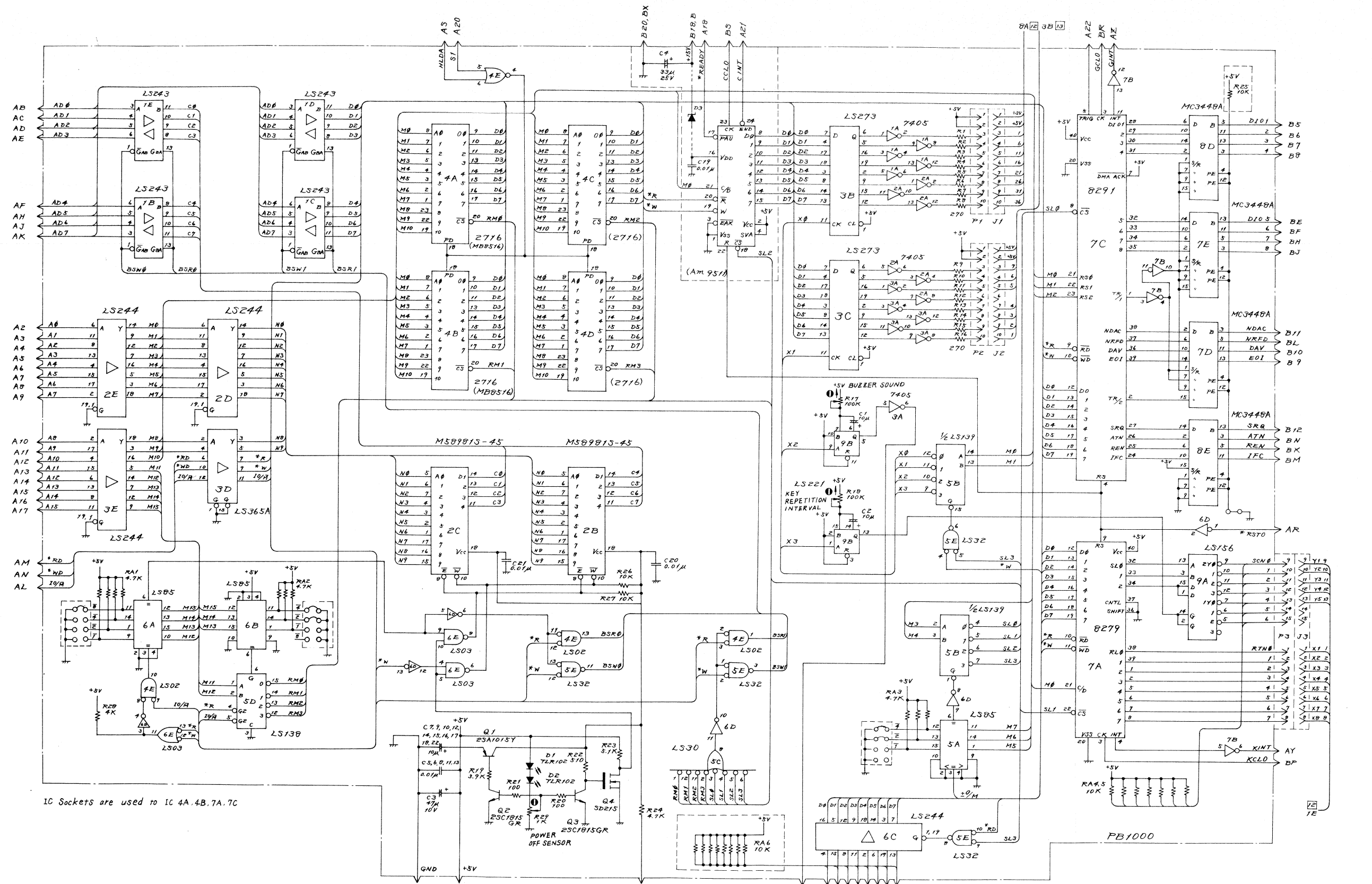
CIRCUIT REFERENCE	DESCRIPTION	IWATSU PART No.	CIRCUIT REFERENCE	DESCRIPTION	IWATSU PART No.
15D09	Diode, V03C	DDD020011	MOTHER BOARD 16		
15D10	Same as 15D09		16C01	Cap., 100 μ , -0~+100%, 3V, Elect. Tan.	
15D11	Same as 15D09				DCS411901
15D12	Diode, V03C	DDD020011	16J01	Connector, M31-M87-12	DCN034541
15D13	Same as 15D12		16J02	Same as 16J01	
15D14	Diode, 1S953	DDD010051	16J03	Same as 16J01	
15D20	Diode, BCR10AM-10L	DDD040671	16J04	Connector, 57-20240-D35	DCN020511
15Q01	Transistor, 2SC1669-0	DTR130951	16J01A	Connector, 225J-22221-187	DCN030151
15Q02	Same as 15Q01		16J01B	Same as 16J01A	
15Q03	Same as 15Q01		16J03A	Same as 16J01A	
15Q04	Same as 15Q01		16J03B	Same as 16J01A	
15IC01	IC, μ A78P05SC	DIC652061	16J04A	Same as 16J01A	
15IC02	IC, μ A7815KC	DIC652131	16J04B	Same as 16J01A	
15IC03	IC, μ A7915KC	DIC652051	16J05A	Same as 16J01A	
15IC04	IC, MB3752	DIC652171	16J05B	Same as 16J01A	
15IC05	IC, μ PC151C	DIC610021	16J06A	Same as 16J01A	
15IC06	Same as 15IC05		16J06B	Same as 16J01A	
15S01	Switch, MLW-3022-K1M0-E	DSW027101	16J07A	Same as 16J01A	
			16J07B	Same as 16J01A	
			16J09A	Same as 16J01A	
			16J09B	Same as 16J01A	
			16J10A	Same as 16J01A	
			16J10B	Same as 16J01A	
			16J11A	Same as 16J01A	
			16J11B	Same as 16J01A	
			16P01	Connector, M33-12-30-134P	DCN034831
			16P02	Same as 16P01	
			16P03	Same as 16P01	
			16BT01	Battery, Ni-cd, GB-50-3S	DES010731
			16BZ01	P1EZ0-ALARM, PKB5-3B0	DSB040391

CIRCUIT REFERENCE	DESCRIPTION	IWATSU PART No.	CIRCUIT REFERENCE	DESCRIPTION	IWATSU PART No.
OVER ALL	18				
18PB1000	Printed Circuit Board				
18PB1200	Same as 18PB1000				
18PB1300	Same as 18PB1000				
18PB1400	Same as 18PB1000				
18PB1500	Same as 18PB1000				
18PB1600	Same as 18PB1000				
18PB1800	Same as 18PB1000				
18PB1900	Same as 18PB1000				
18PB2000	Same as 18PB1000				
18PB2100	Same as 18PB1000				
18PB2200	Same as 18PB1000				
18PB2300	Same as 18PB1000				
18PB3000	Same as 18PB1000				
18PB4000	Same as 18PB1000				
18PB4100	Same as 18PB1000				
18PB5000	Same as 18PB1000				
18PB6000	Same as 18PB1000				
18PB6100	Same as 18PB1000				
18PB7000	Same as 18PB1000				

CIRCUIT REFERENCE	DESCRIPTION	IWATSU PART No.	CIRCUIT REFERENCE	DESCRIPTION	IWATSU PART No.
SH-4B SAMPLING HEAD			R13	Res., 10k, $\pm 2\%$, $\frac{1}{4}W$, Metal	742214010
			R14	Same as R11	
C1	Cap., 15p, $\pm 5\%$, 100V, Mica	740905796	R15	Same as R12	
C2	Cap., 2p, $\pm 0.5p$, 50V, Mica	DCM130611	R16	Res., 22k, $\pm 2\%$, $\frac{1}{4}W$, Metal	742214490
C3	Cap., 220p, $\pm 10\%$, 100V, Cer.	740602890	R17	Res., 12k, $\pm 2\%$, $\frac{1}{4}W$, Metal	742214240
C4	Cap., 0.5~1.5p, Var., 500V, poly.	741101130	R18	Same as R17	
			R19	Same as R13	
C5	Cap., 5p, $\pm 10\%$, 50V, Mica	DCM131311	R20	Res., 33k, $\pm 2\%$, $\frac{1}{4}W$, Metal	742214250
C6	Cap., 1p, $\pm 0.5p$, 50V, Mica	DCM130211	R21	Res., 100, $\pm 2\%$, $\frac{1}{4}W$, Metal	742213730
C7	Cap., 100p, $\pm 10\%$, 100V, Cer.	740602880	R22	Same as R17	
C8	Cap., 1000p, $\pm 20\%$, 100V, Mica	740602850	R23	Res., 3.3k, $\pm 2\%$, $\frac{1}{4}W$, Metal	742214470
C9	Cap., 6.8 μ , $\pm 20\%$, 20V, Elect. Tan.	741206769	R24	Same as R12	
			R25	Res., 1k, $\pm 2\%$, $\frac{1}{4}W$, Metal	742213860
C10	Cap., 2.2p, $\pm 0.5p$, 50V, Cer.	740506806	R26	Res., 15, $\pm 10\%$, 1/8W, Compo.	742571820
C11	Cap., 2700p, $\pm 5\%$, 50V, Cer.	740506807	R27	Same as R26	
C12	Same as C11		R28	Res., 100, $\pm 2\%$, $\frac{1}{2}W$, Metal	742218660
C13	Cap., 15p, $\pm 5\%$, 100V, Mica	DCM131911	R29	Same as R28	
C14	Same as C7		R30	Res., 200, Var., $\frac{1}{2}W$, Cermet	743492870
C15	Same as C11		R31	Res., 100, Var., $\frac{1}{2}W$, W.W.	743311011
C16	Same as C11		R32	Res., 390, $\pm 2\%$, $\frac{1}{2}W$, Metal	742216120
C17	Same as C11		R33	Res., 500, Var., $\frac{1}{2}W$, Cermet	DRV410161
C18	Same as C9		R34	Res., 18, $\pm 2\%$, $\frac{1}{4}W$, Metal	742215780
C19	Same as C9		R35	Res., 150, $\pm 2\%$, $\frac{1}{4}W$, Metal	742215670
C20	Cap., 10p, $\pm 5\%$, 100V, Mica	740905785	R36	Same as R35	
			R37	Thermistor, 112101-2	744703919
L1	Filter	744005821	R38	Res., 62, $\pm 2\%$, $\frac{1}{4}W$, Metal	DRE133441
L2	Same as L1		R39	Same as R37	
L3	Same as L1		R40	Same as R38	
L4	Same as L1				
R1	Res., 100k, $\pm 2\%$, $\frac{1}{4}W$, Metal	742214060	D1	Z. Diode, RD 5.6EB	740405376
R2	Same as R1		D2	S.R. Diode, 5082-0310	740405377
R3	Same as R1		D3	Diode, 1S953	740401720
R4	Same as R1				
R5	Res., 56k, $\pm 1\%$, $\frac{1}{4}W$, Metal	742218768	Q1	FET, 2N5912	740308152
R6	Same as R5		Q2	PNP Transistor, 2SA495 G -Y	740303880
R7	Res., 100k, Var., $\frac{1}{2}W$, Cermet	743493215	Q3	Same as Q2	
R8	Res., 20k, $\pm 10\%$, $\frac{1}{2}W$, Cermet	743492900	Q4	NPN Transistor, 2SC1561	740308504
R9	Same as R1				
R10	Res., 2k, Var., $\frac{1}{2}W$, Cermet	743492860	T1	Pulse Transformer	DCL240242
R11	Res., 20k, Var., $\frac{1}{2}W$, Cermet	743410506			
R12	Res., 20k, Var., $\frac{1}{2}W$, Cermet	743492900	U001	Sampling Gate	KAS02662

CIRCUIT REFERENCE	DESCRIPTION	IWATSU PART No.	CIRCUIT REFERENCE	DESCRIPTION	IWATSU PART No.
TP1	Test Point Terminal	766012401			
TP2	Same as TP1				
PB001	Sampling Head	744156903			

NOTES



IC Sockets are used to IC 4A, 4B, 7A, 7C

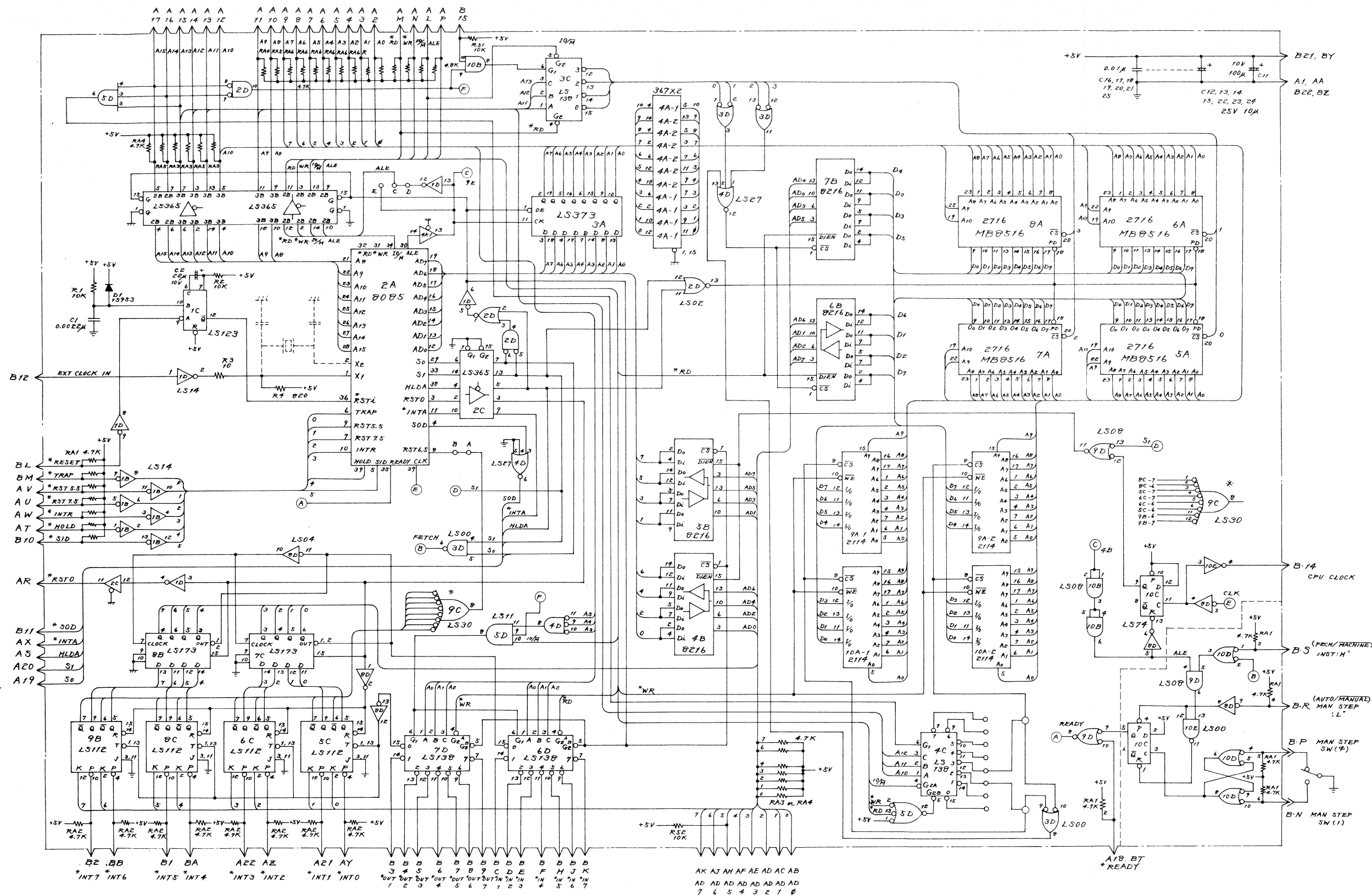
B22, B2
A1, AA

B19

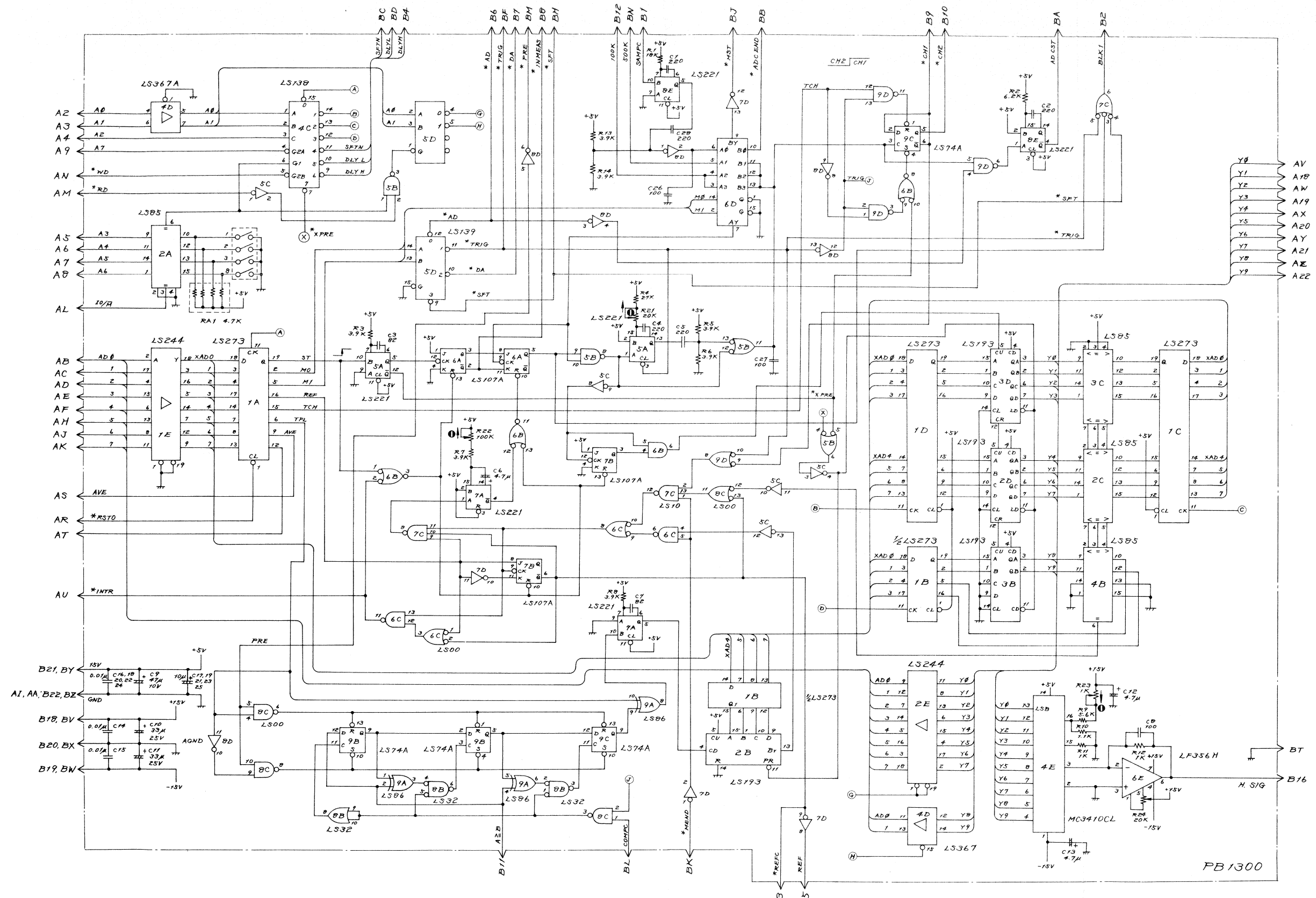
BU
B1 B2 B3 B4 B5 B6 B7 B8 B9

TO CALIBRATOR
INSTRUMENT ADDRESS

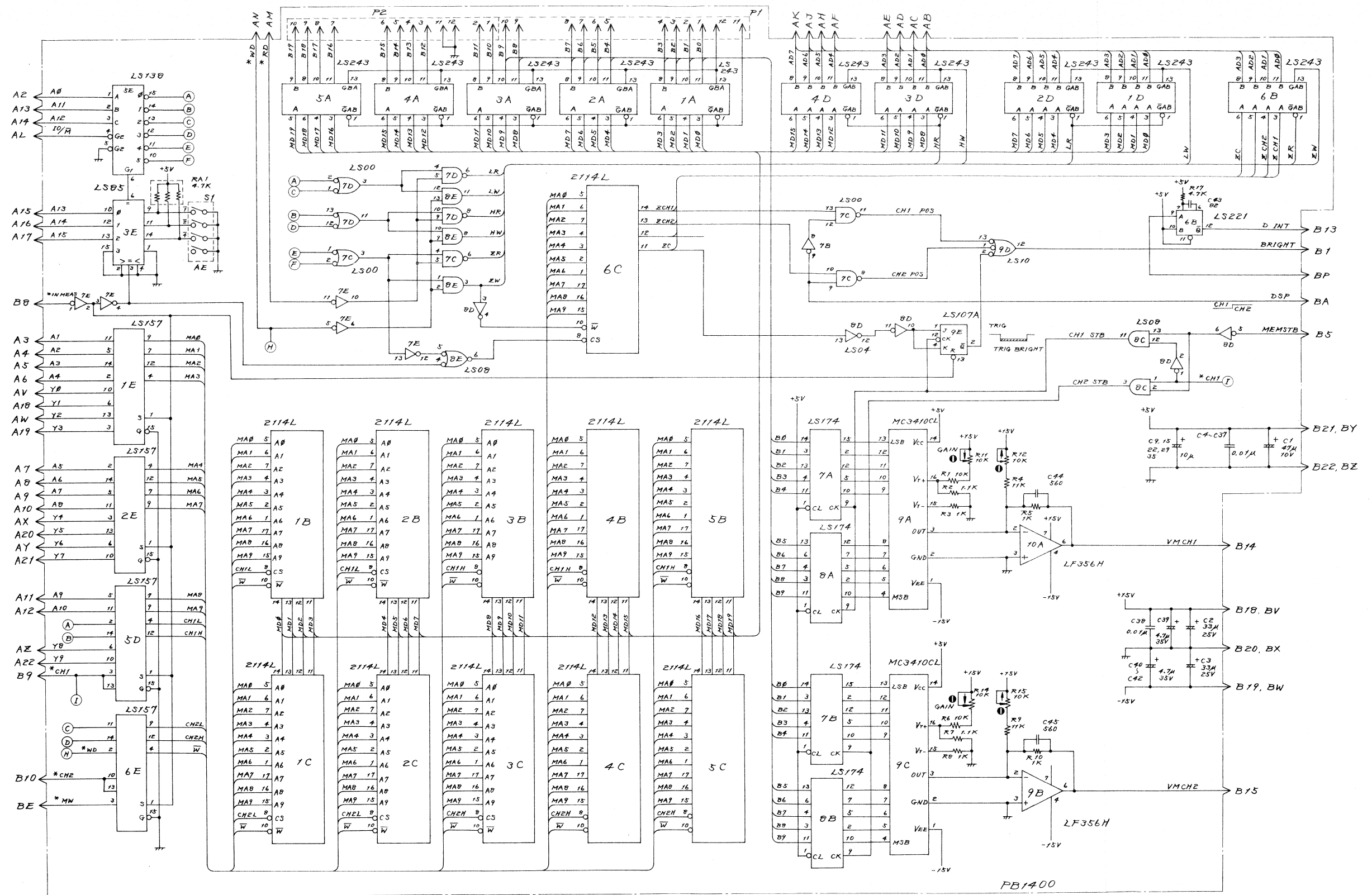
SAS-B130
GPIB & KEY I/O BOARD
GPIB
G-601449



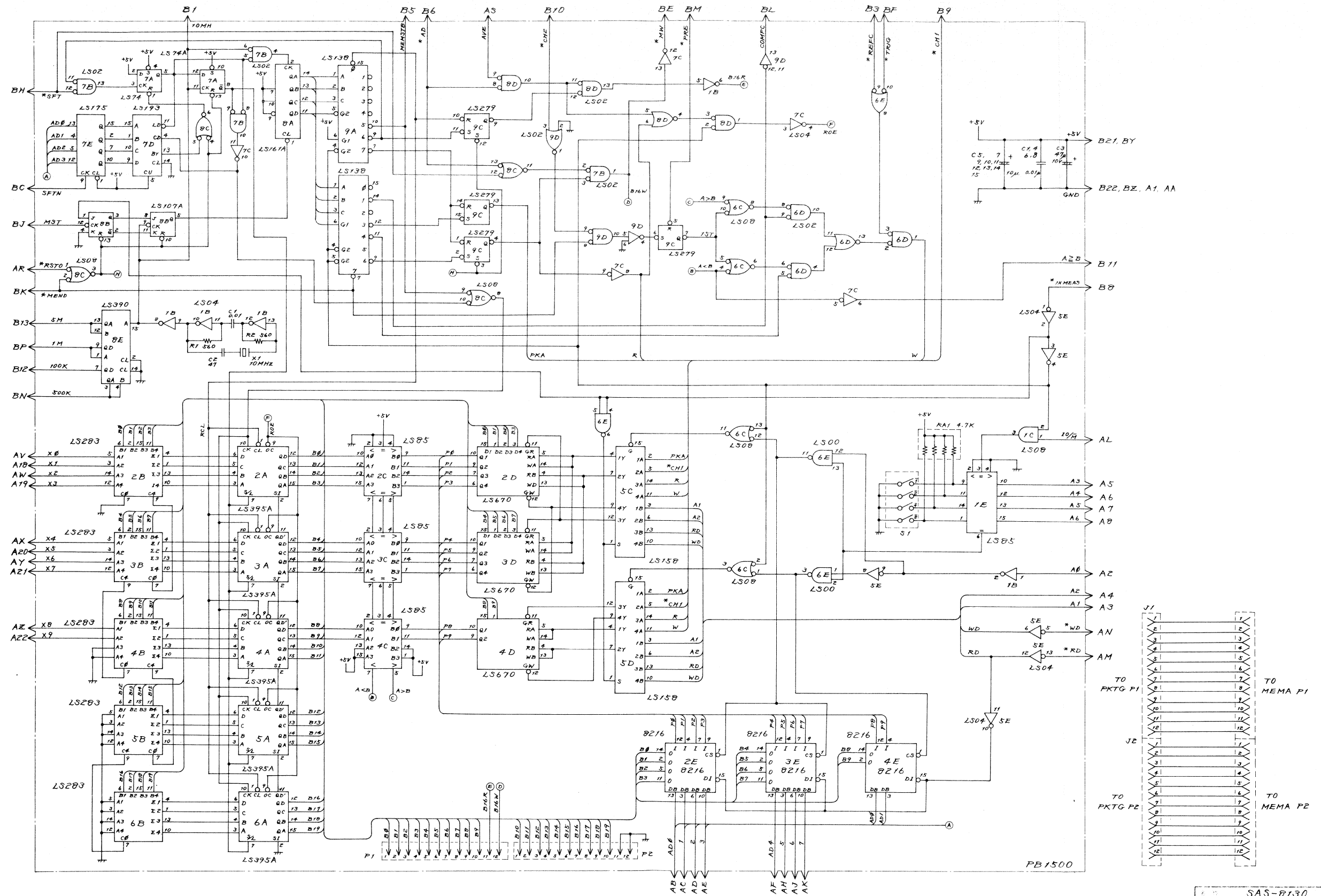
SAS-8130
 MICRO PROCESSOR BOARD MPS-001
 G-601450



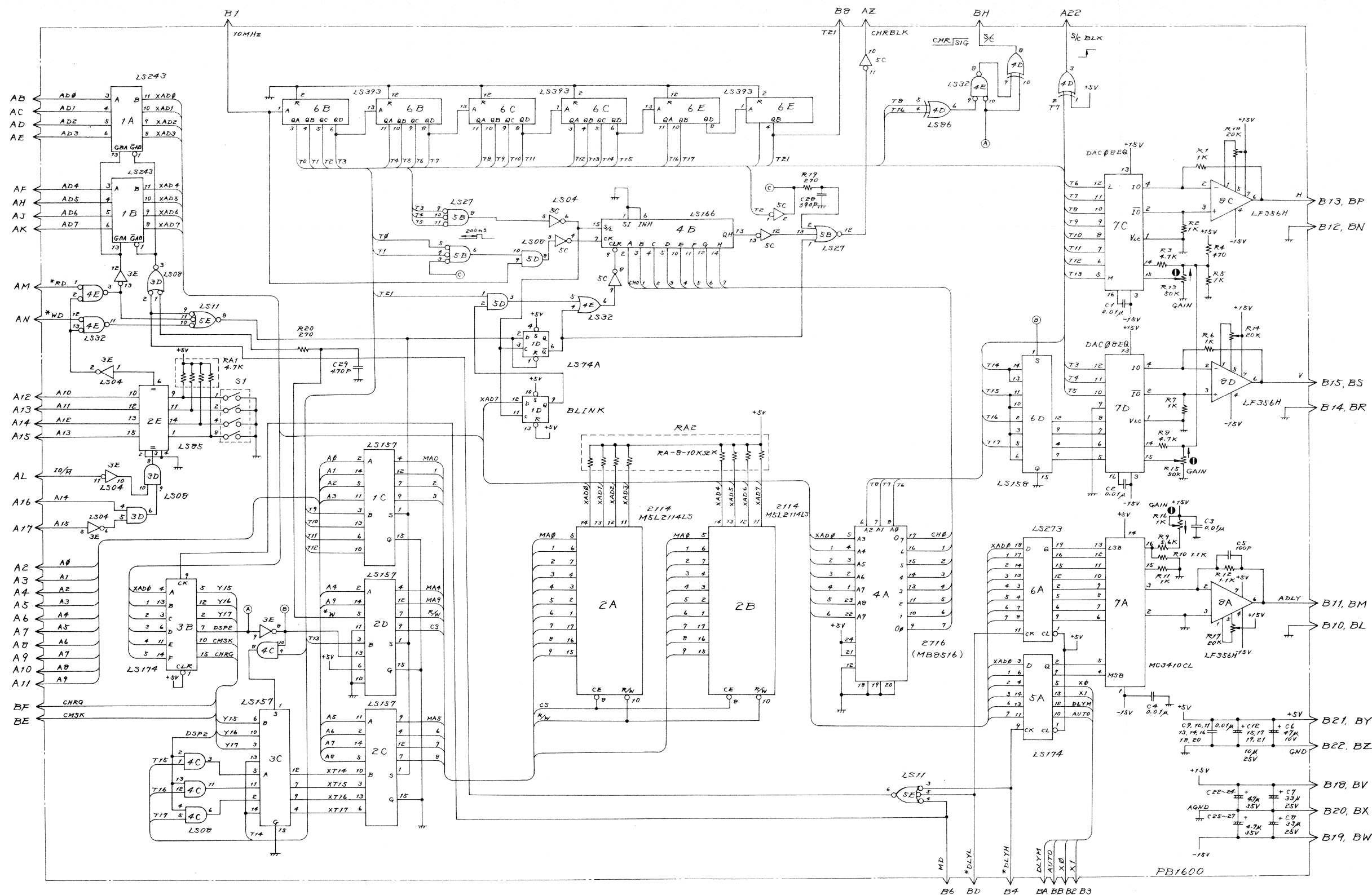
SAS-8130
 STAIR CONTROL BOARD
 STRC
 G-601451



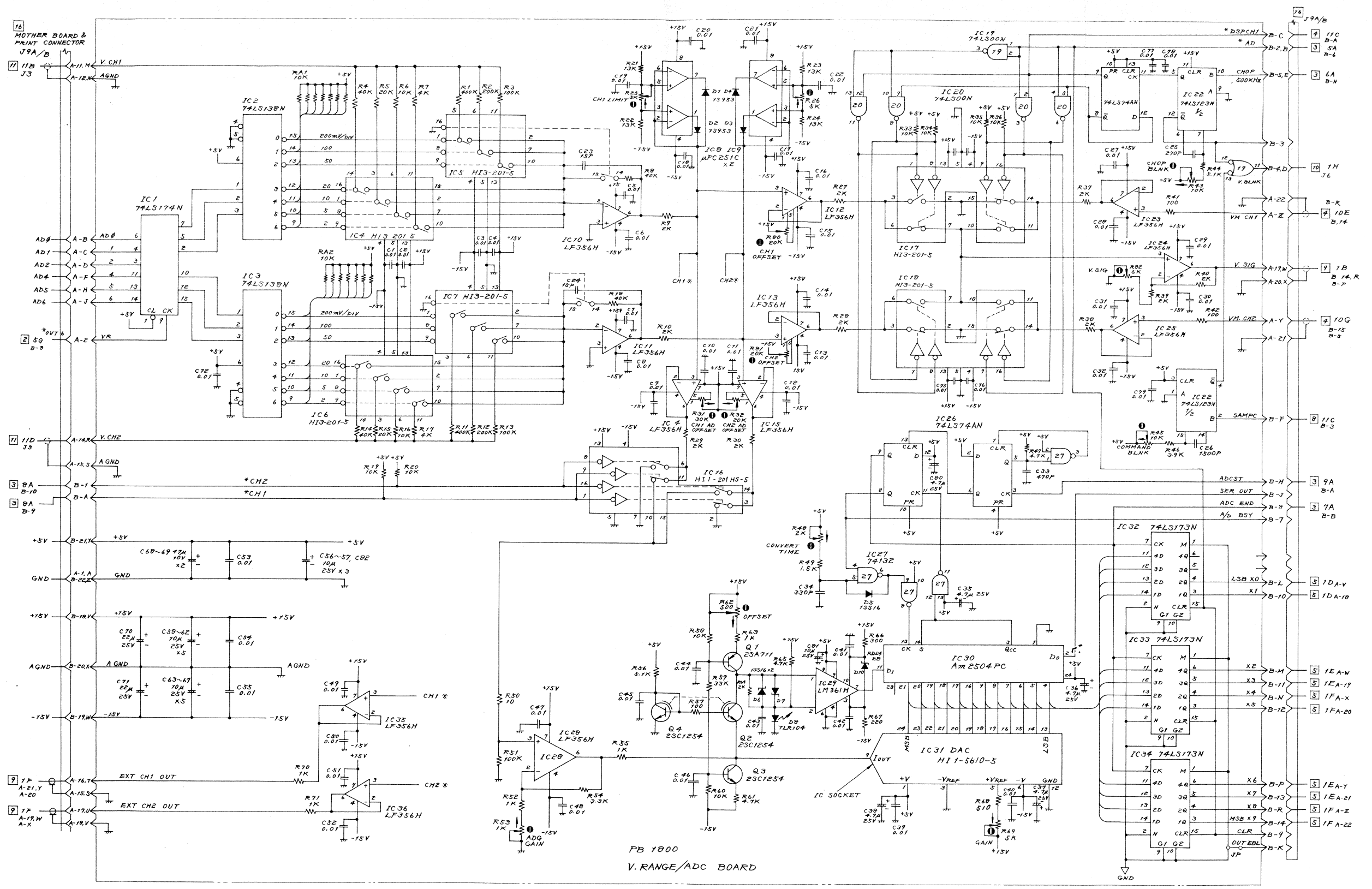
SAS-8130
 20BIT MEMORY BOARD
 MEMA
 G-60145Z



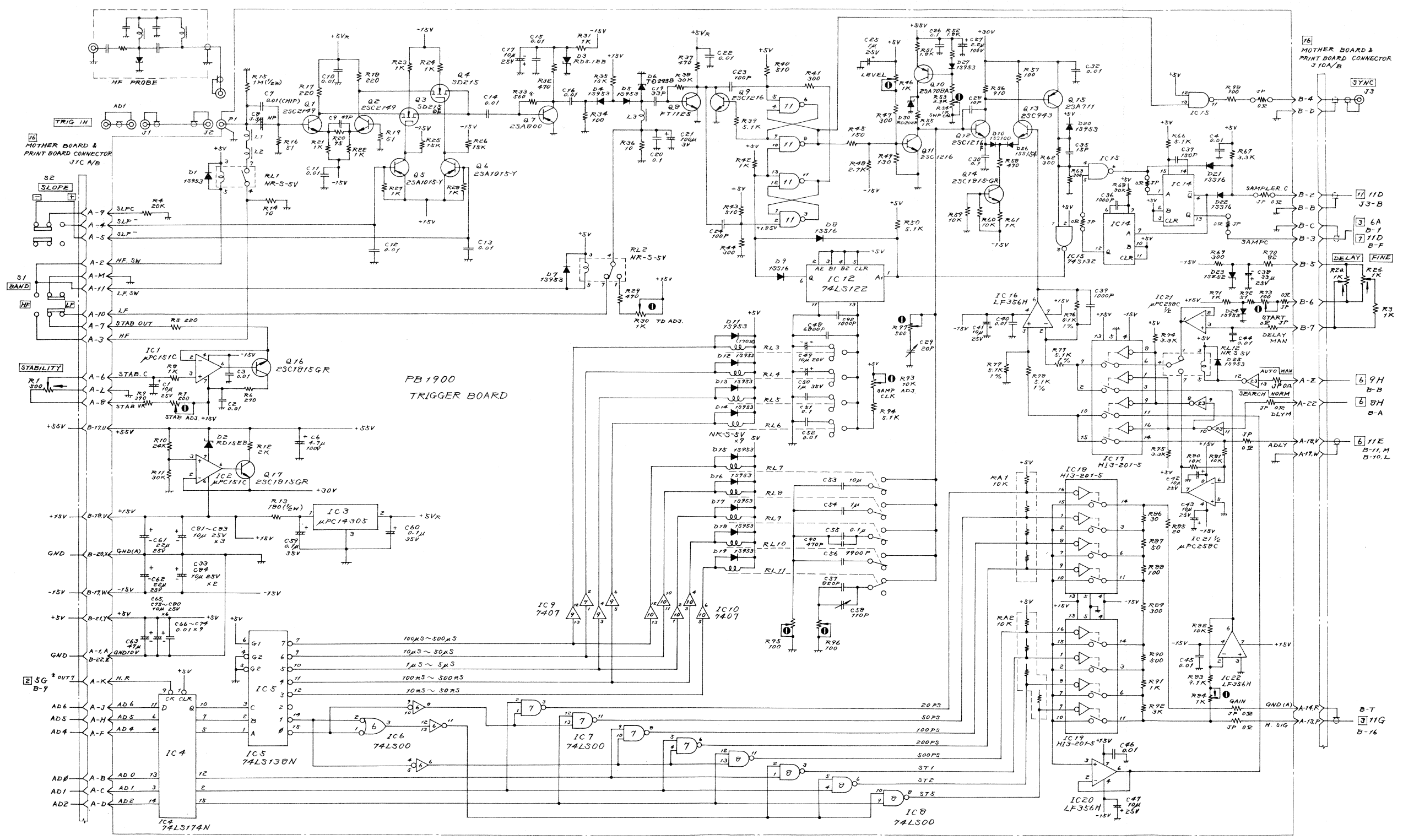
SAS-0130
 PEAK-DETECT & TRIG BOARD PKTG 5
 G-601453



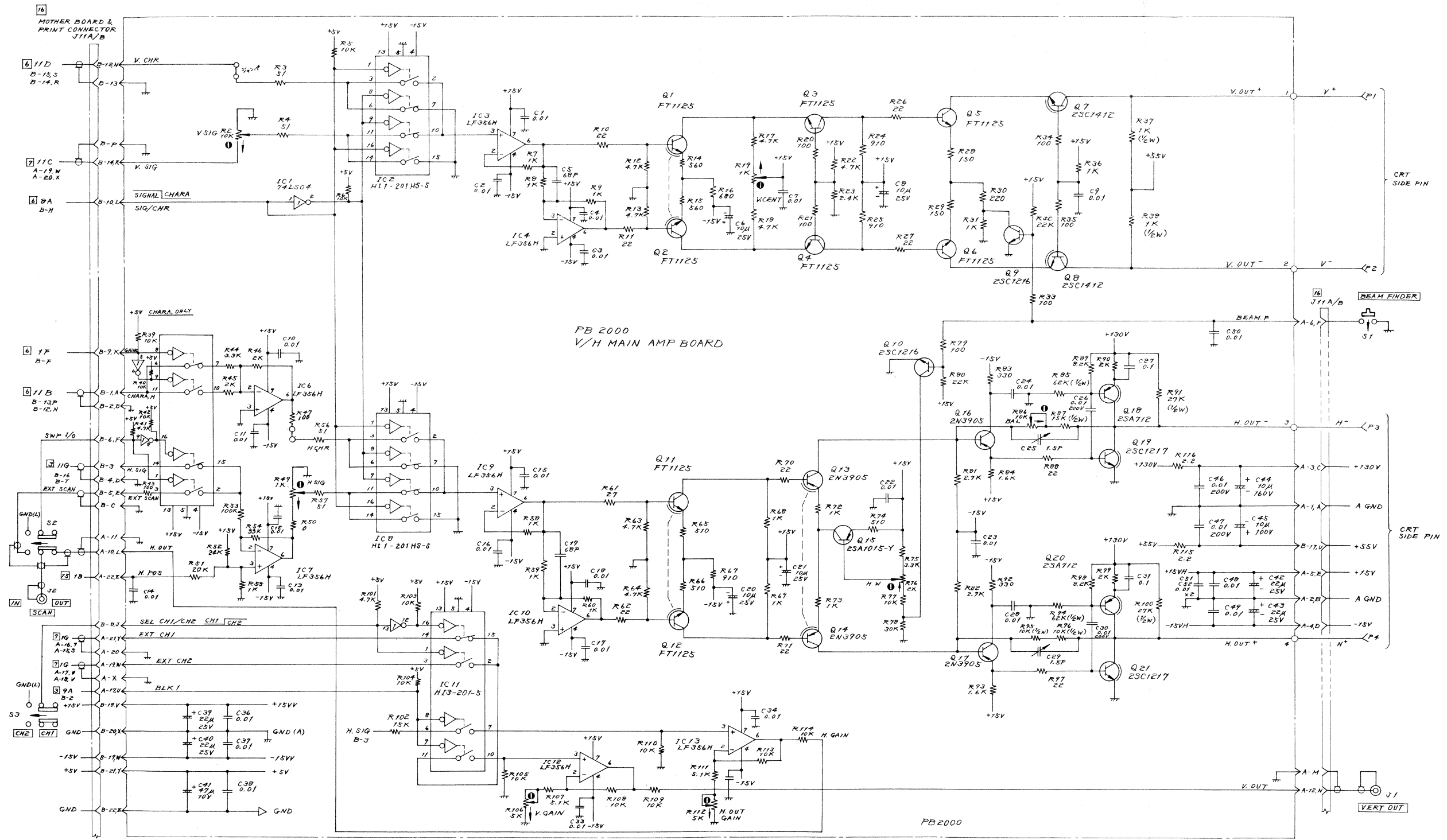
SAS-8130
 CHARACTER DISPLAY BOARD
 CHRA
 G-601454



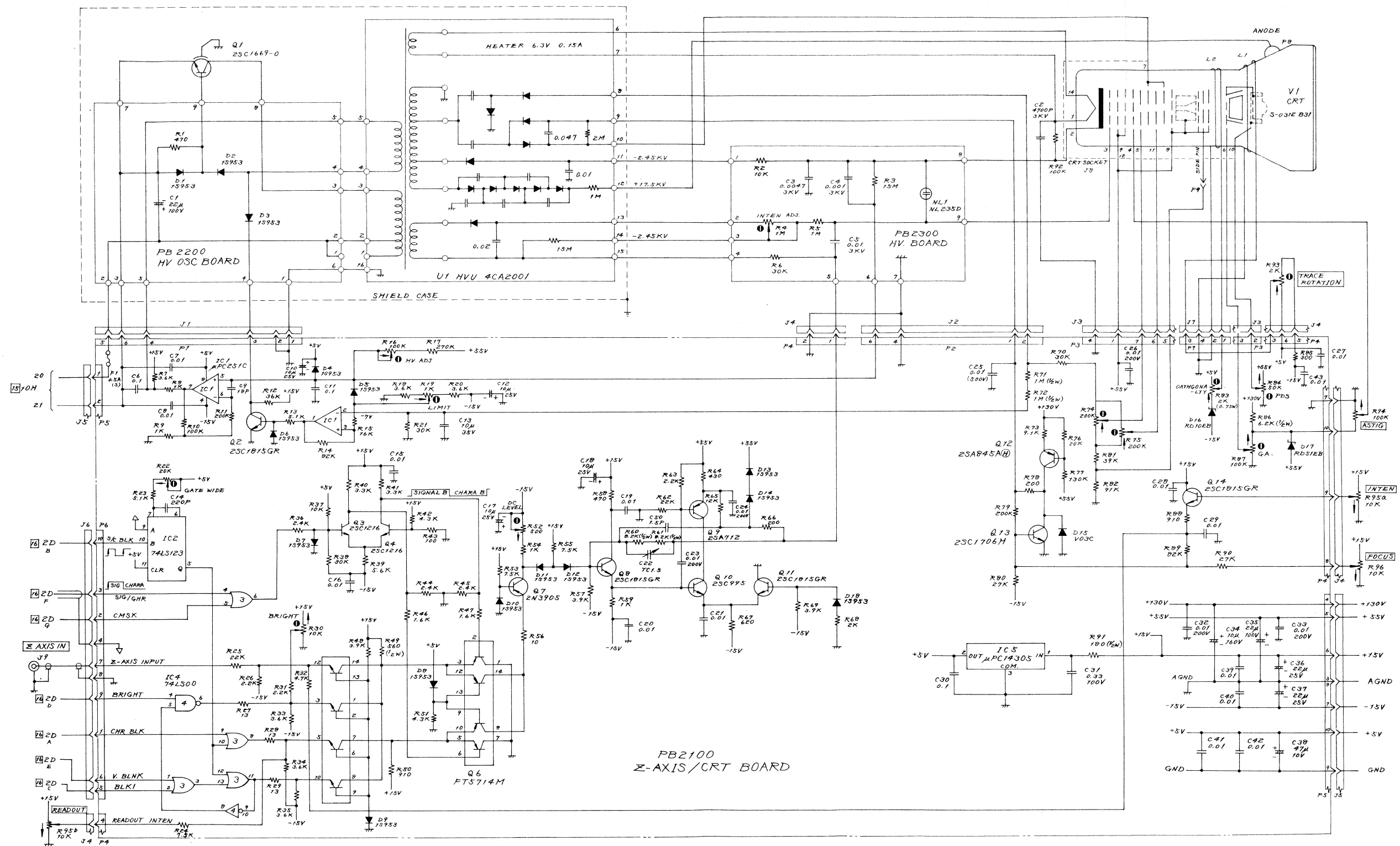
PB 1800
V. RANGE/ADC BOARD

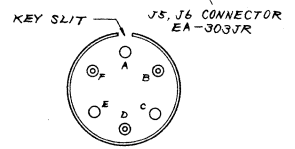
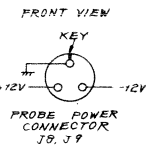
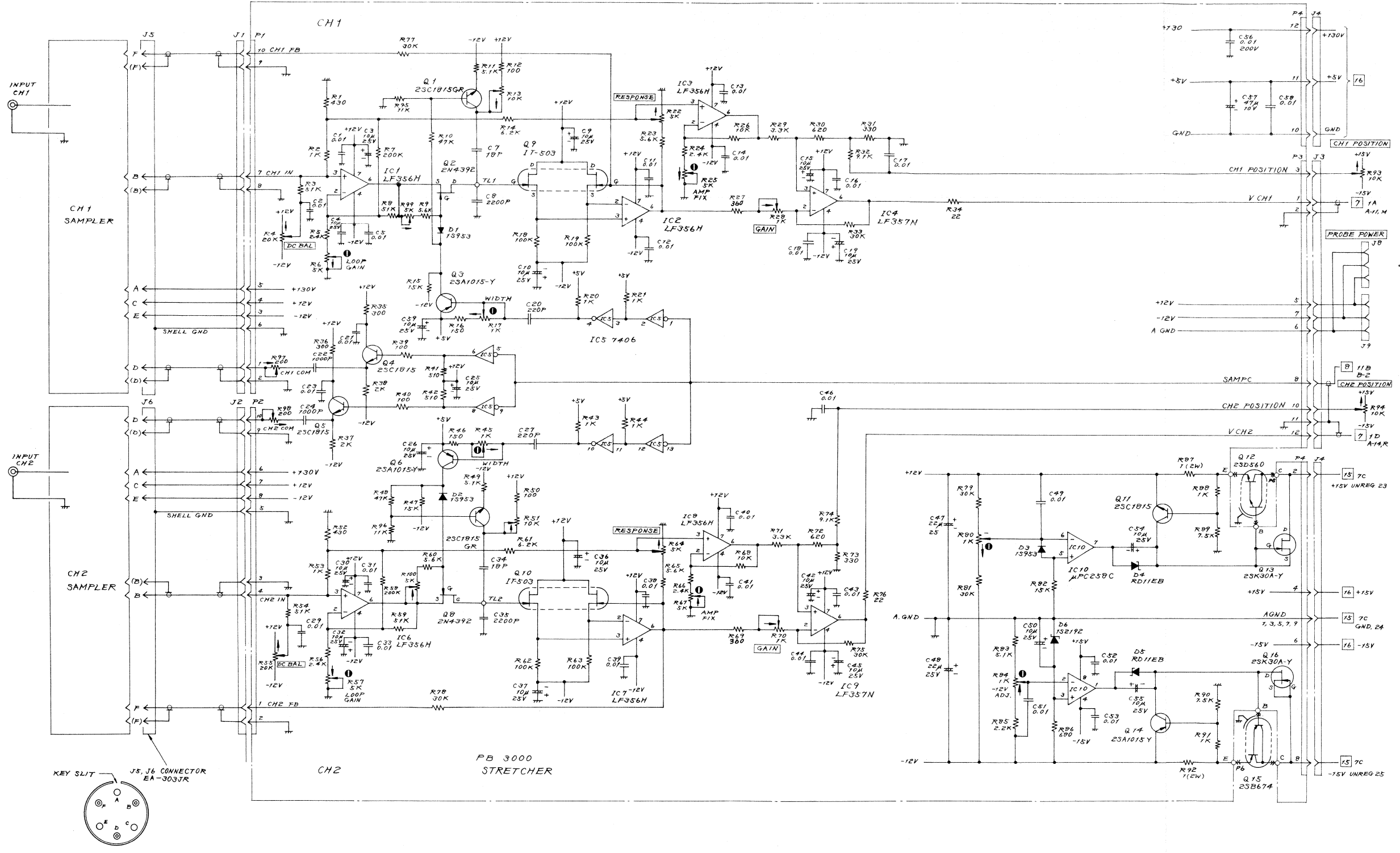


SAS-8130
TRIGGER CIRCUIT
G-601456

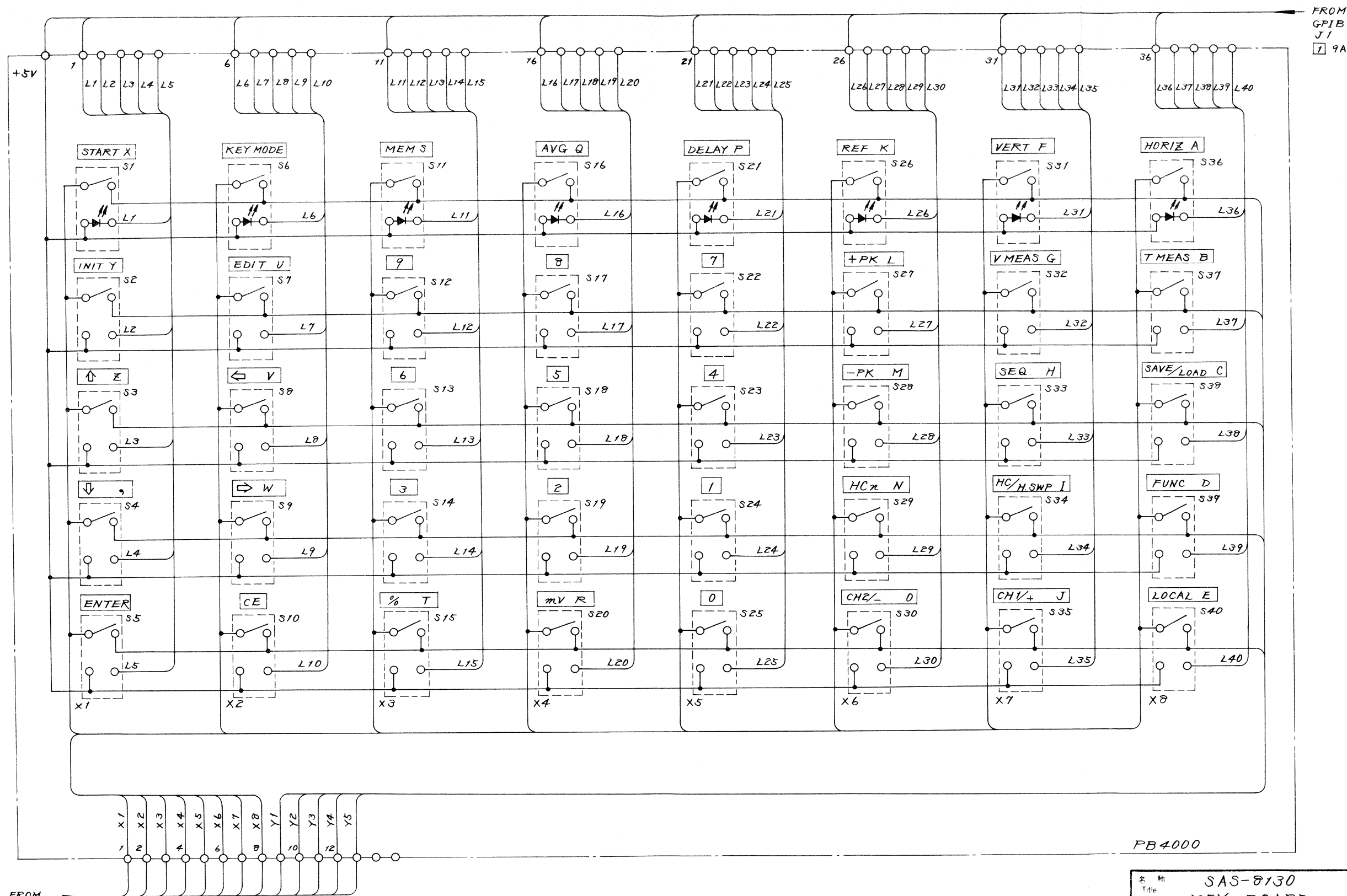


SAS-8130 9
V/H MAIN AMP CIRCUIT
G-601457





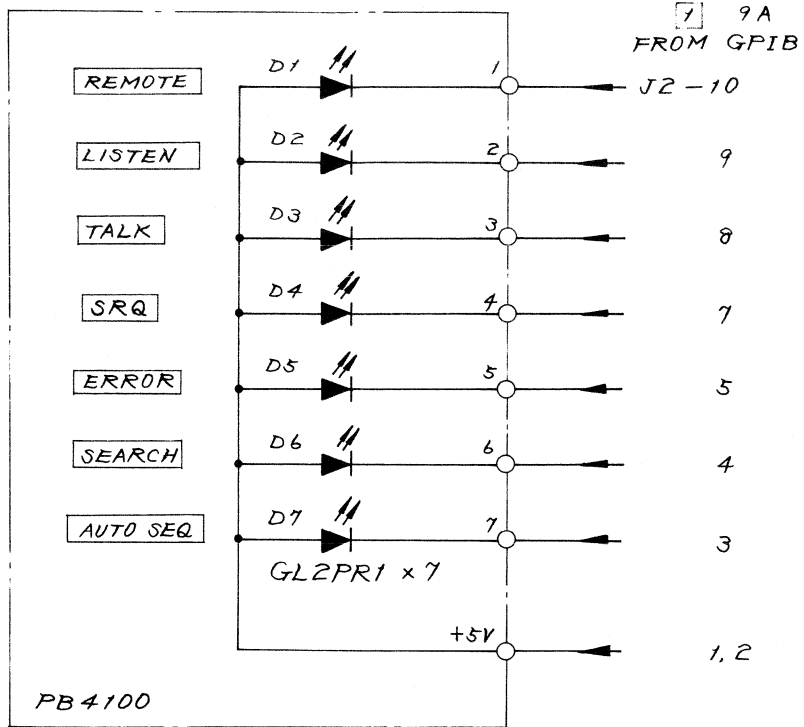
PB 3000
STRETCHER



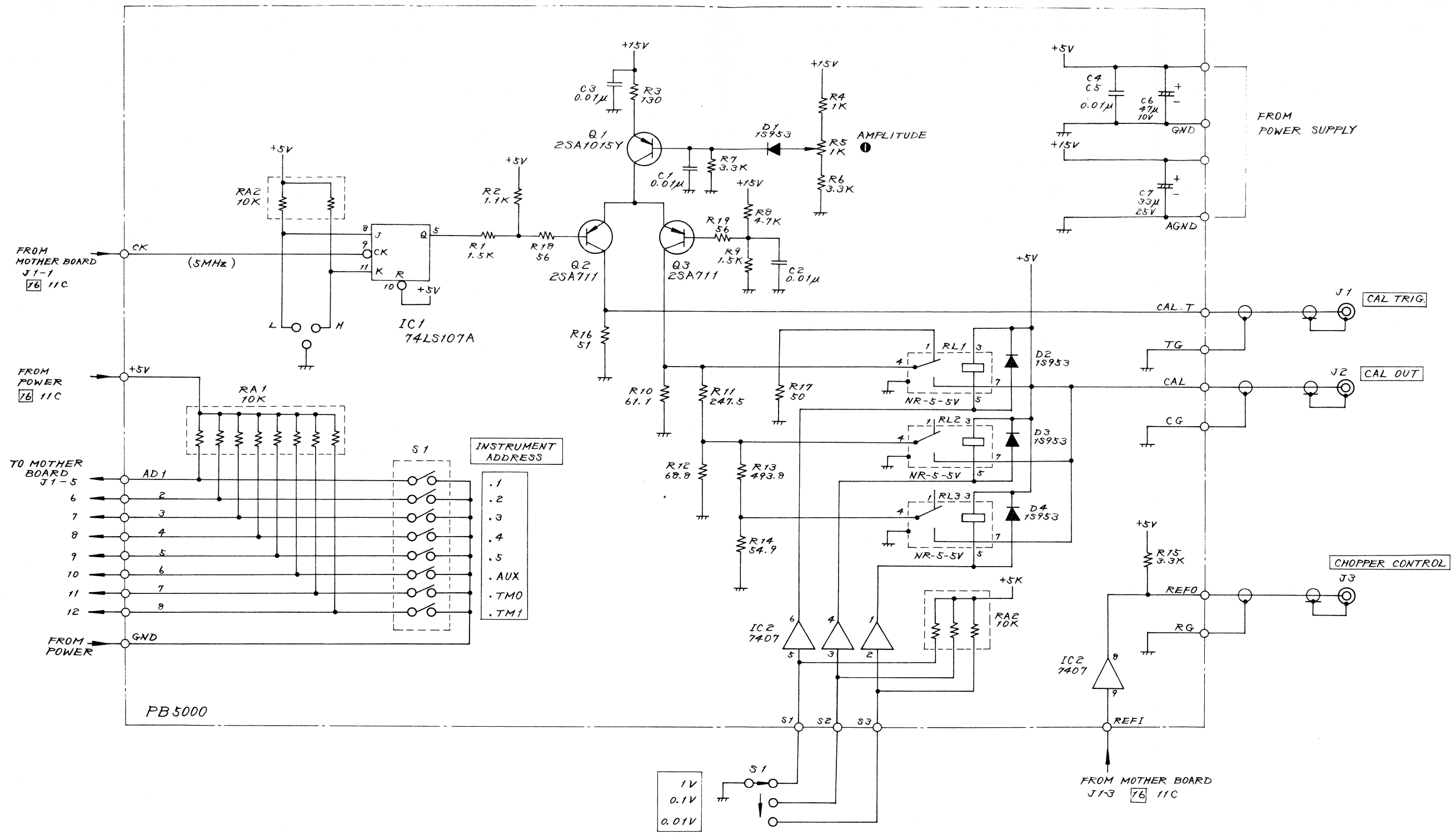
FROM
GPIB
J3
7 11G

PB4000

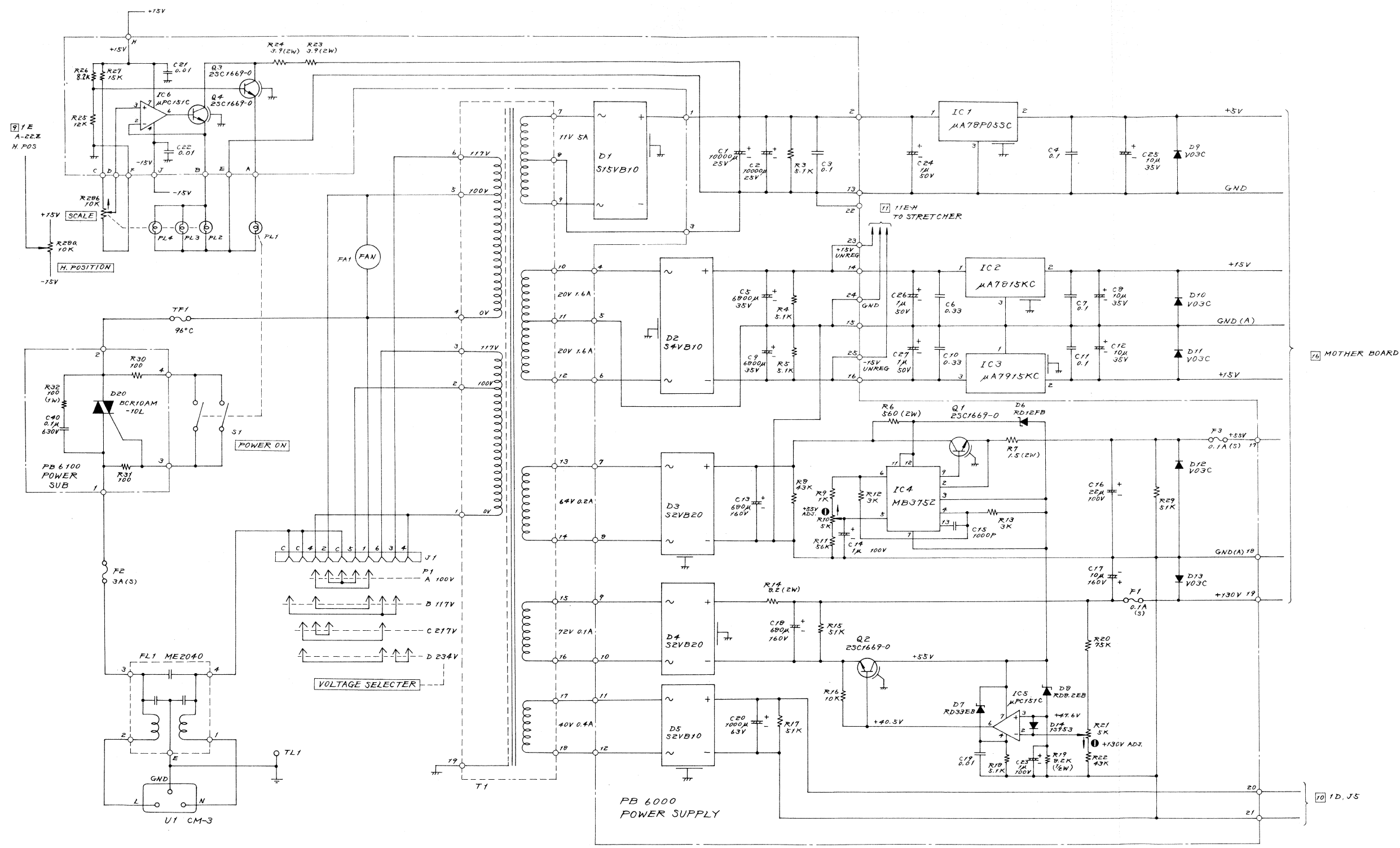
名称 Title	SAS-8130 KEY BOARD KEY B	12
图号 Draw No.	K-606920	



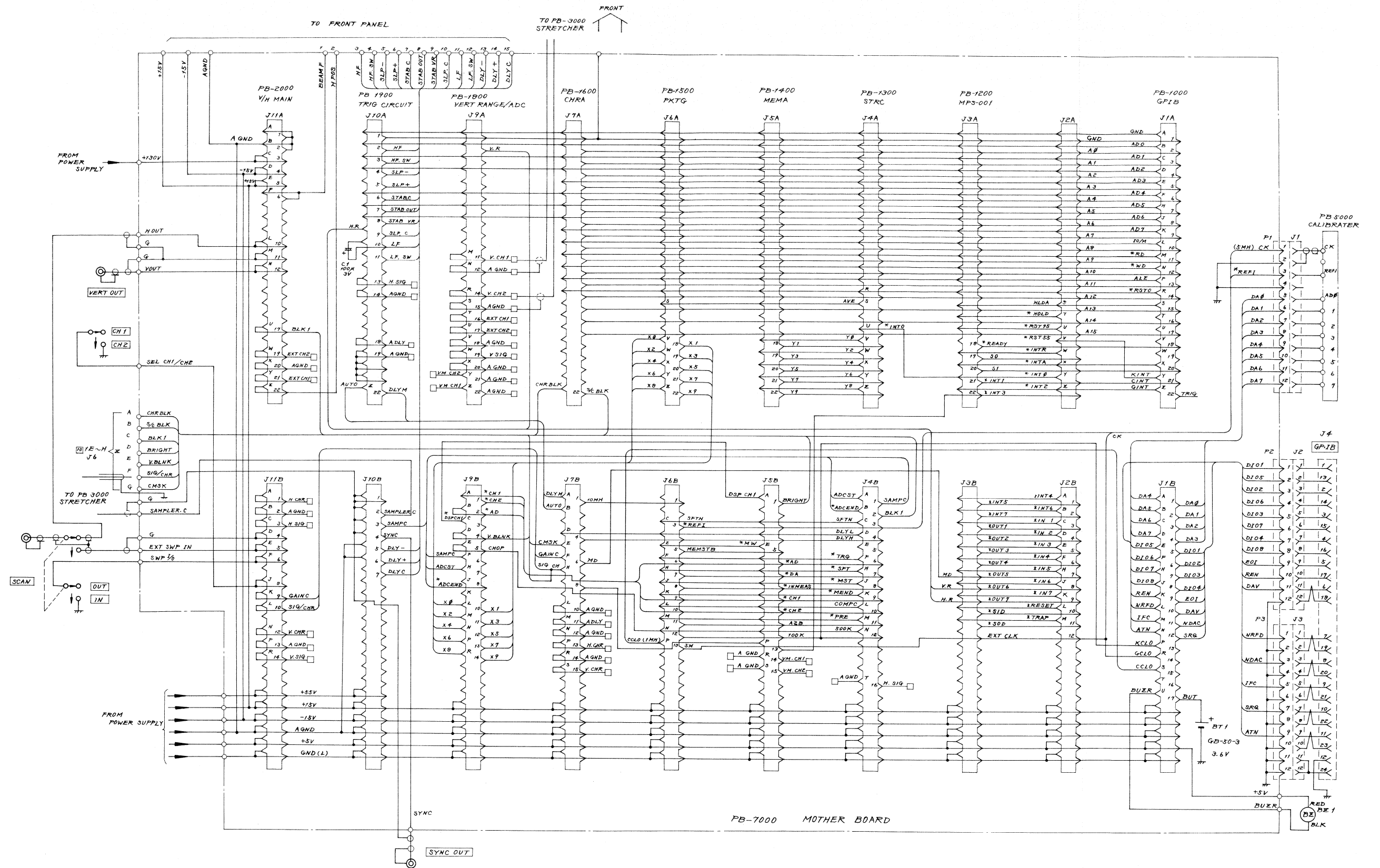
名称 Title	SAS-8130	13
设备 Drawg No	LEDP	
	P-604659	



名称 Title	SAS-8130	14
图番 Draw No	K-606921	
CALIBRATER		



SAS-8130
 POWER SUPPLY 15
 G-601460



SAS-8130 76
 MOTHER BOARD
 G-601461

J4B-16 H. SIG J11B-3, C
 J4B-7 J11B-2, B

J10A-13 H. SIG J11B-3, C
 J10A-14 J11B-2, B

J5B-14 VM. CH1 J9A-Z
 J5B-R J9A-22

J5B-15 VM. CH2 J9A-Y
 J5B-S J9A-21

J7B-11, M ADLY J10A-18
 J7B-10, L J10A-19

J7B-13, P H. CHR J11B-1, A
 J7B-12, N J11B-2, B

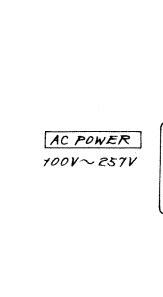
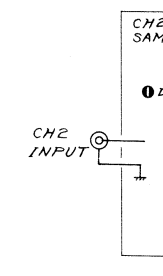
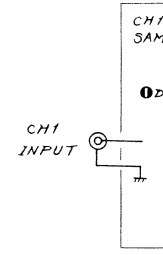
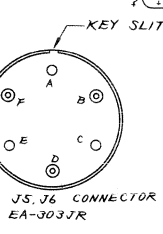
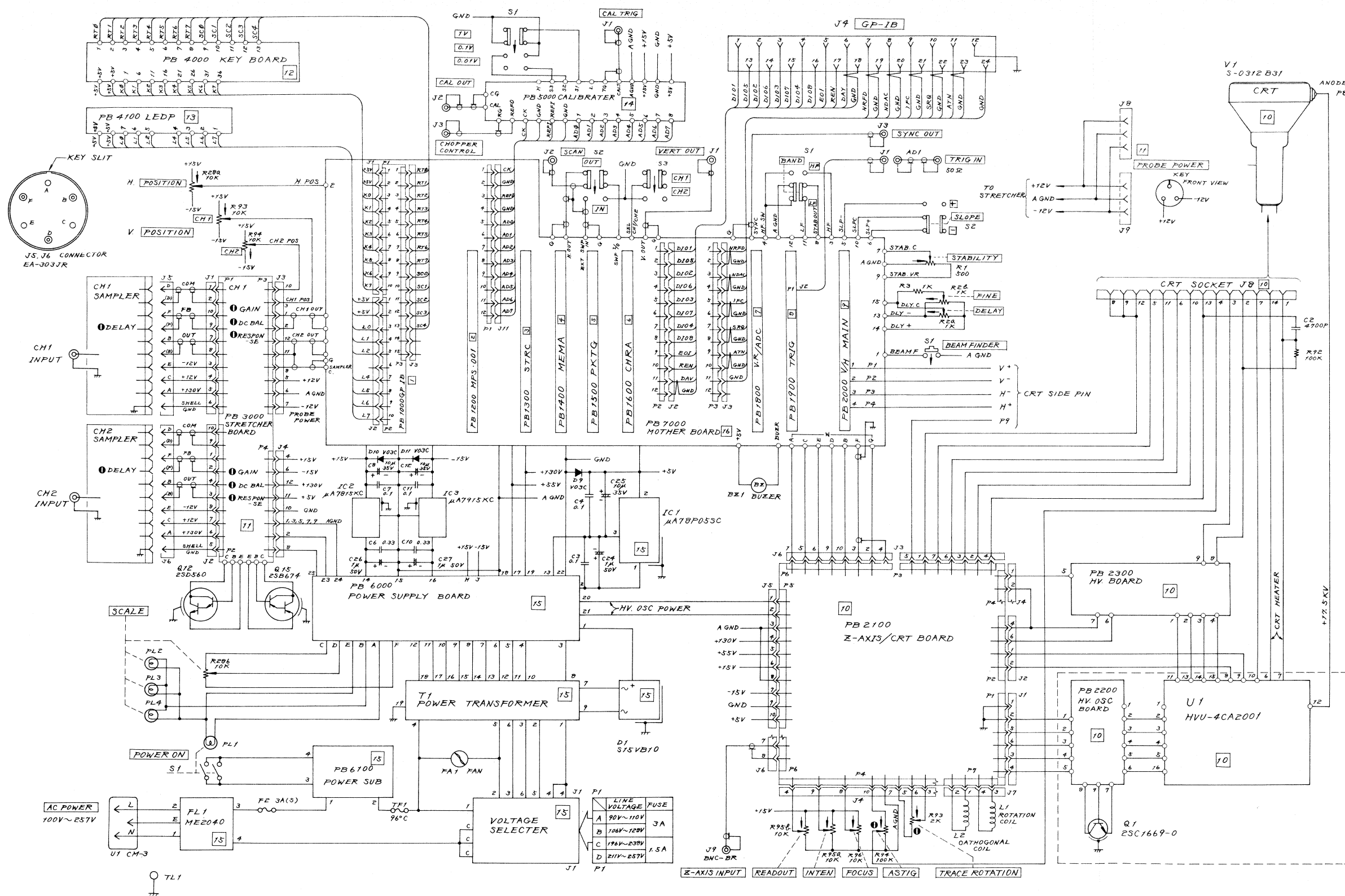
J7B-15, S V. CHR J11B-12, N
 J7B-14, R J11B-13, P

J9A-19, W V. SIG J11B-14, R
 J9A-20, X J11B-13, P

J9A-16, T EXT. CH1 J11A-21, Y
 J9A-15, S J11A-20, X

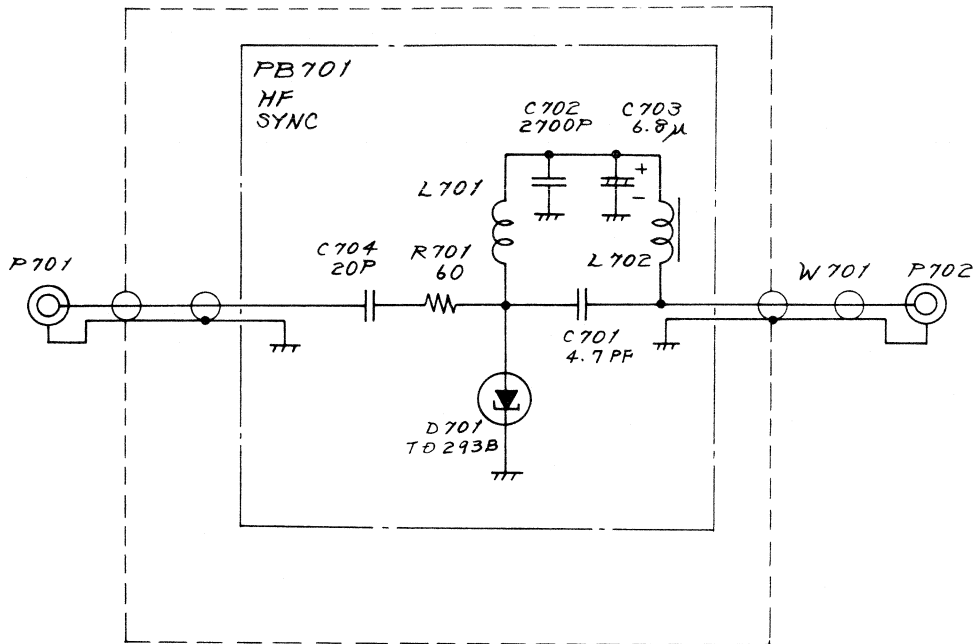
J9A-17, U EXT. CH2 J11A-19, W
 J9A-18, V J11A-20, X

名称 Title	SAS-8130	17
MOTHER BOARD JUMPER		
图号 Drawg. No.	P-604660	



LINE VOLTAGE	FUSE
A 90V-110V	3A
B 104V-120V	3A
C 198V-230V	1.5A
D 211V-257V	1.5A

SAS-8130 18
 OVERALL CONNECTION
 G-601462



名称 Title	SAS-8130	19
HF SYNC PROBE		
图番 Drwg No.	P-604661	